



MOTORBASES

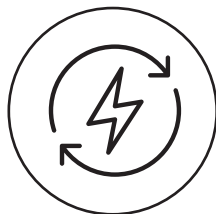
Self-tensioning motor mounts for friction belt drives

- Prevent belt slippage
- One-time set-up
- Change belts without realignment
- Compensation for load changes
- Constant transfer of force

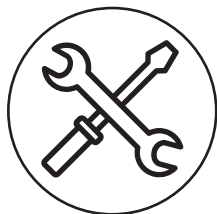
Product advantages:



cost-saving



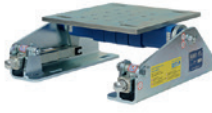




energy-saving




maintenance-free

Selection table motorbases

Illustration	Type	IEC			NEMA			Page
		Motor Frame Size	P [kW] 1000 min ⁻¹ 6-pole motor	P [kW] 1500 min ⁻¹ 4-pole motor	Motor Frame Size	P [HP] 1200 min ⁻¹ 6-pole motor	P [HP] 1800 min ⁻¹ 4-pole motor	
	MB 27 × 120	90S	0.75	1.1	143T	0.75	1	6.3
		90L	1.1	1.5	145T	1	1.5/2	
		100L	1.5	2.2/3	182T	1.5	3	
		112M	2.2	4	184T	2	5	
	MB 38 × 300	132S	3	5.5	213T	3	7.5	6.4
		132M	4/5.5	7.5	215T	5	10	
		160M	7.5	11	254T	7.5	15	
		160L	11	15	256T	10	20	
	MB 50 × 270-1	160M	7.5	11	254T	7.5	15	6.5
		160L	11	15	256T	10	20	
	MB 50 × 270-2	180M	–	18.5	284T	15	25	
		180L	15	22	286T	20	30	
	MB 50 × 400	200L	18.5/22	30	324T	25	40	
		–	–	–	326T	30	50	
	MB 50 × 500	225S	–	37	364T	40	60	
		225M	30	45	365T	50	75	
	MB 70 × 400	250M	37	55	404T	60	100	6.6
	MB 70 × 550	280S	45	75	405T	75	100/125	
		280M	55	90	444T	100	125/150	
	MB 70 × 650	315S	75	110	445T	125/150	150/200	
		MB 70 × 800	315M	90/110	132–160	447T	150–200	
	315L		110–160	160–200	449T	200–300	250–300	
	MB 100 × 750	315M	90/110	132–160	447T	150–200	200–250	6.7
		315L	110–160	160–200	449T	200–300	250–300	
		355S	132–160	200–250	586/7	250–350	300–350	
		355M	200–250	250	–	–	–	
		355L	200–250	250	–	–	–	
	MB 100 × 1000	various	up to 275	up to 400	various	up to 370	up to 540	on request
	MB 100 × 1500	various	up to 350	up to 550	various	up to 650	up to 750	

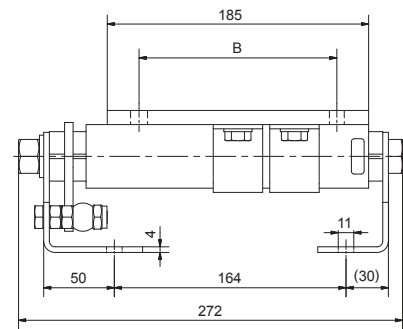
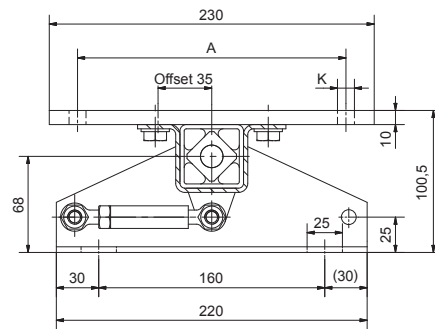
- Attention: Don't use motorbase on floating chassis.
- Contact ROSTA for more frame sizes not listed.
- For the ATEX certified designs category 2 please change the 3rd digit of the part number to 3 (example: 02 200 201 = 02 300 201).
- ATEX label:



II 2G Ex h IIC T6 Gb
 II 2D Ex h IIIIC T85°C Db
 T_{amb}: –40°C ÷ +60°C

Motorbase

MB 27



Part no.	Type	Motor Frame Size	IEC			Motor Frame Size	NEMA			Weight [kg]
			A	B	K		A	B	K	
02 200 201	MB 27 × 120	90S	140	100	10.5	143T	140	102	10.5	6.9
		90L	140	125	10.5	145T	140	127	10.5	6.9
		100L	160	140	10.5	182T	190	114	10.5	6.9
		112M	190	140	10.5	184T	190	140	10.5	6.9

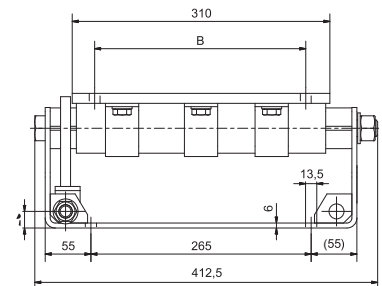
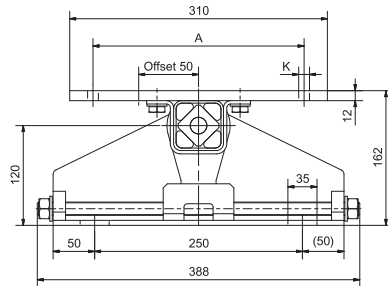
Details ATEX on page 6.2.

If the tension range is not sufficient, the motor plate can be configured in the offset position.

If no other units are specified, the numbers given are in mm.

Motorbase

MB 38



Part no.	Type	IEC				NEMA				Weight [kg]
		Motor Frame Size	A	B	K	Motor Frame Size	A	B	K	
02 000 301	MB 38 × 300	132S	216	140	M10	213T	216	140	M10	25.4
		132M	216	178	M10	215T	216	178	M10	25.4
		160M	254	210	13	254T	254	210	13	25.4
		160L	254	254	13	256T	254	254	13	25.4

Details ATEX on page 6.2.

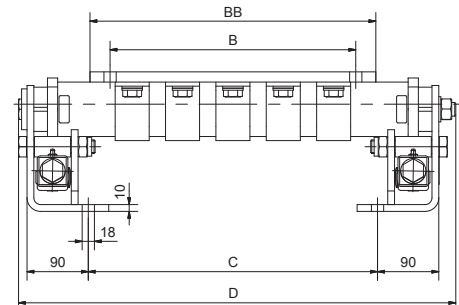
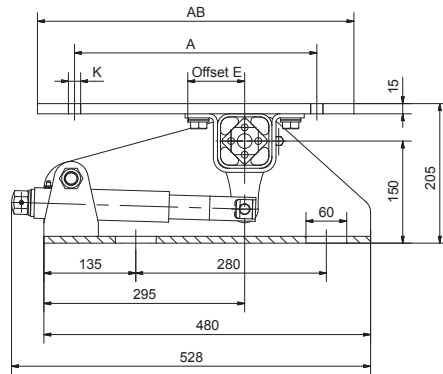
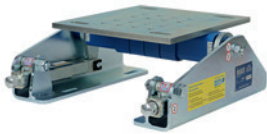
If the tension range is not sufficient, the motor plate can be configured in the offset position.

If no other units are specified, the numbers given are in mm.

We recommend using the MB 50 for motor frame size 160 in vibrating screen applications.

Motorbase

MB 50



Part no.	Type	Motor Frame Size	IEC			NEMA			AB	BB	C	D	E	Weight [kg]	
			A	B	K	Motor Frame Size	A	B							K
02 200 526	MB 50 × 270-1	160M	254	210	14	254T	254	210	14	320	315	245	463	25	43.8
		160L	254	254	14	256T	254	254	14	320	315	245	463	25	43.8
02 200 527	MB 50 × 270-2	180M	279	241	14	284T	279	241	14	350	335	245	463	72	46.2
		180L	279	279	14	286T	279	279	14	350	335	245	463	72	46.2
02 200 528	MB 50 × 400	200L	318	305	18	324T	318	267	18	405	390	345	563	55	56.6
		–	–	–	–	326T	318	305	18	405	390	345	563	55	56.6
02 200 529	MB 50 × 500	225S	356	286	18	364T	356	286	18	465	420	425	643	72	63.2
		225M	356	311	18	365T	356	311	18	465	420	425	643	72	63.2

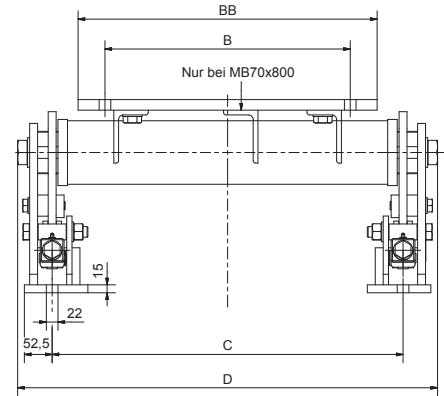
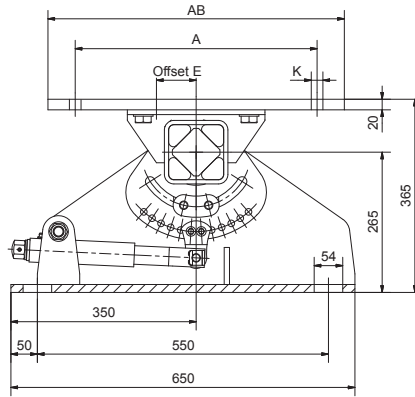
Details ATEX on page 6.2.

The ROSTA Motorbases MB 50 are supplied with the motor plate installed in «off-set» configuration. Depending on the operating angle of the running belts, the motor plate can also be configured «centrally» over the element axis. Corresponding threads are present on the motor plate. For a higher setting angle of the motor plate, the lever can be mounted at 45°.

If no other units are specified, the numbers given are in mm.

Motorbase

MB 70



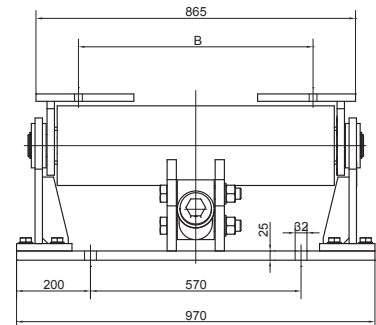
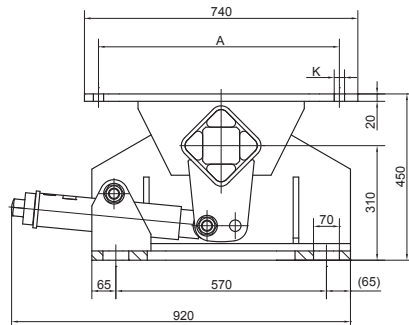
Part no.	Type	Motor Frame Size	IEC			NEMA			AB	BB	C	D	E	Weight [kg]	
			A	B	K	Motor Frame Size	A	B							K
02 200 710	MB 70 × 400	250M	406	349	22	404T	406	311	22	510	410	513	643	50	140
02 200 711	MB 70 × 550	280S	457	368	22	405T	406	349	22	560	565	663	793	50	190
		280M	457	419	22	444T	457	368	22	560	565	663	793	50	190
02 200 712	MB 70 × 650	315S	508	406	26	445T	457	419	22	630	660	763	893	70	189
02 200 713	MB 70 × 800	315M	508	457	28	447T	457	508	22	630	805	913	1 043	70	215
		315L	508	508	28	449T	457	635	22	630	805	913	1 043	70	215

Details ATEX on page 6.2.

All ROSTA Motorbases MB 70 is supplied with motor plate installed in «centered» configuration on top of the element axis. According to the final positioning of the base, the operating angle of the belts and the required tensioning travel, the motor plate can be altered in «off-set» position. Relevant threaded fixation holes are existent in plate. For possibly required additional tensioning travel of the motor plate, the fork head of the pretensioning device can be set in one of the eleven hole positions of the friction plate. If no other units are specified, the numbers given are in mm.

Motorbase

MB 100



Part no.	Type	IEC				NEMA				Weight [kg]
		Motor Frame Size	A	B	K	Motor Frame Size	A	B	K	
02 200 900	MB 100 x 750	315M	508	457	28	447T	457	508	21	423
		315L	508	508	28	449T	457	635	21	423
		355S	610	500	28	586/7	584	560	30	423
		355M	610	560	28	–	–	–	–	423
		355L	610	630	28	–	–	–	–	423

Details ATEX on page 6.2.

For possibly required additional tensioning travel, the pretensioning device can be bolted into the front holes of the fork-head on the rubber suspension element.

If no other units are specified, the numbers given are in mm.