



AC Servo Motors

ELM1/ELM2 Series

Feature:

- Power rating: 400W-1.0kW
- Voltage: 220VAC
- Encoder: 23-bit encoder
- Optional accessory: brake
- Frame size: 40mm,60mm,80mm,100mm

ELM1 Series

23-Bit magnetic encoder

ELM2 Series

23-Bit optical encoder

Overview

Precision positioning

High inertia, high torque with overloading up to 350%, rotational speed up to 6500rpm with acceleration at the max. of 2g.

Positioning accuracy of 0.02mm and precision of 0.01mm thanks to 3.2kHz frequency response and 5Mbps communication rate.

High quality servo motor

IP rating of IP67 with better performance and reliability.

Motor comes with direct connectors which is easier for installation and more reliable.

Servo motor

Better reliability with IP ratings of IP67 in addition to higher max. speed/torque and overload rate up to 350%.

Better motor stability

Improving the stability of high and low velocity motion by 30%.

ENCODER

23-bit
Optical/Magnetic
*1310608 Pulses/Rotation

**65 times
higher resolution**

+

COMMUNICATION RATE

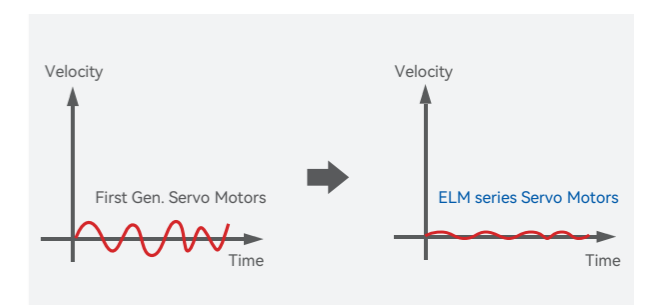
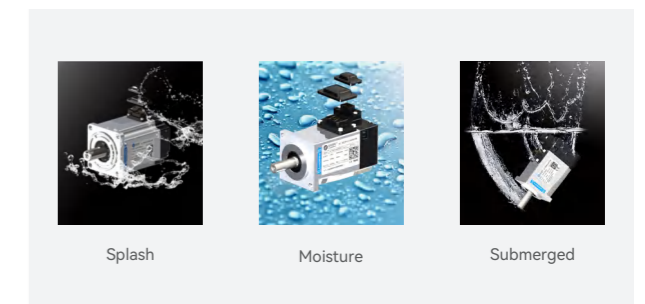
5 Mbps

**100%
increased**

=

- Great vibration suppression
- High positioning precision

*Comparing to previous gen. 17-bit servo motors



Part Numbers

ELM2 H - 0850 L D 130 E T - H

(1) (2) (3) (4) (5) (6) (7) (8) (9)

(1) Series Num

ELM1	ELM1 Series servo motor
ELM2	ELM2 Series servo motor

(2) Inertia Ratio

L	Low
M	Medium
H	High

(3) Rated Output Power

0030	30W	2000	2000W
0050	50W	2900	2900W
0100	100W	3000	3000W
0200	200W	3800	3800W
0400	400W	4000	4000W
0750	750W	4400	4400W
0850	850W	5000	5000W
1300	1300W	7000	7000W
1800	1800W	7500	7500W
1500	1500W		

(4) Encoder Type

L	23-bit optical multi-turn
M	23-bit magnetic multi-turn
N	26-bit optical multi-turn
F	17-bit magnetic
D	17-bit optical

(5) Rated Speed

A	3000rpm	B	2500rpm
C	2000rpm	D	1500rpm
E	1000rpm		

(9) Connect type

Blank	Direct connector
H	Aviation connector-H

(8) Voltage

Blank	220VAC
T	400VAC

(7) Motor Type

E	With brake, oil seal
F	No brake, oil seal

(6) Frame Size

25	25mm
40	40mm
60	60mm
80	80mm
100	100mm
130	130mm
180	180mm

ELM1/ELM2 Series - 40mm/60mm/80mm

- Frame size:40mm/60mm/80mm
- Power rating:50W-1000W



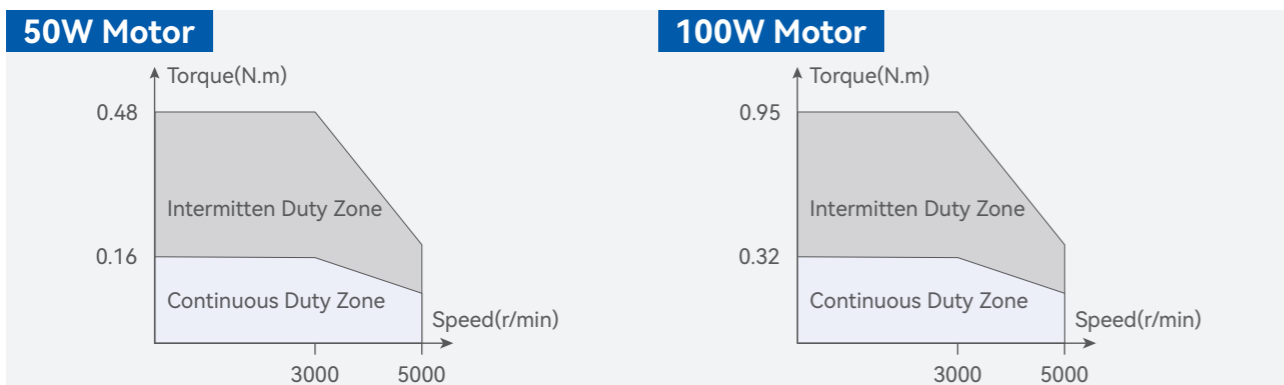
Cable Type	Diagram	Pin																								
Motor power	<p>CABLE-RZSH*M*-114-TS</p>	<table border="1"> <tr> <td>1</td> <td>Blue</td> <td>U</td> </tr> <tr> <td>2</td> <td>Black</td> <td>V</td> </tr> <tr> <td>3</td> <td>Red</td> <td>W</td> </tr> <tr> <td>4</td> <td>Yellow Green</td> <td>PE</td> </tr> <tr> <td>A*</td> <td>Black</td> <td>0V</td> </tr> <tr> <td>B*</td> <td>Red</td> <td>24V</td> </tr> </table> <p>*A&B terminal for motor with brake</p>	1	Blue	U	2	Black	V	3	Red	W	4	Yellow Green	PE	A*	Black	0V	B*	Red	24V						
	1	Blue	U																							
2	Black	V																								
3	Red	W																								
4	Yellow Green	PE																								
A*	Black	0V																								
B*	Red	24V																								
	<p>CABLE-RZH*M*-114-TS</p>																									
Motor encoder	<p>CABLE-BMH*M*-114-TS</p>	<table border="1"> <tr> <td>1</td> <td>Blue</td> <td>U</td> </tr> <tr> <td>2</td> <td>Black</td> <td>V</td> </tr> <tr> <td>3</td> <td>Red</td> <td>W</td> </tr> <tr> <td>4</td> <td>Yellow Green</td> <td>PE</td> </tr> <tr> <td>5</td> <td>Black</td> <td>0V</td> </tr> <tr> <td>6</td> <td>Red</td> <td>24V</td> </tr> </table>	1	Blue	U	2	Black	V	3	Red	W	4	Yellow Green	PE	5	Black	0V	6	Red	24V						
	1	Blue	U																							
	2	Black	V																							
3	Red	W																								
4	Yellow Green	PE																								
5	Black	0V																								
6	Red	24V																								
	<p>CABLE-BMH*M*-124-TS</p>	<table border="1"> <tr> <td>A</td> <td>Terminal</td> <td>B</td> </tr> <tr> <td>1</td> <td>PE</td> <td>-</td> </tr> <tr> <td>2</td> <td>5V</td> <td>1</td> </tr> <tr> <td>3</td> <td>0V</td> <td>2</td> </tr> <tr> <td>4</td> <td>SD+</td> <td>5</td> </tr> <tr> <td>5</td> <td>SD-</td> <td>6</td> </tr> <tr> <td>6*</td> <td>BAT+</td> <td>-</td> </tr> <tr> <td>7*</td> <td>BAT-</td> <td>-</td> </tr> </table> <p>*Terminal 6 & 7 is to be connected to battery kit for absolute encoder</p>	A	Terminal	B	1	PE	-	2	5V	1	3	0V	2	4	SD+	5	5	SD-	6	6*	BAT+	-	7*	BAT-	-
A	Terminal	B																								
1	PE	-																								
2	5V	1																								
3	0V	2																								
4	SD+	5																								
5	SD-	6																								
6*	BAT+	-																								
7*	BAT-	-																								
	<p>ER14505 BOX-G DCH ROHS</p>																									



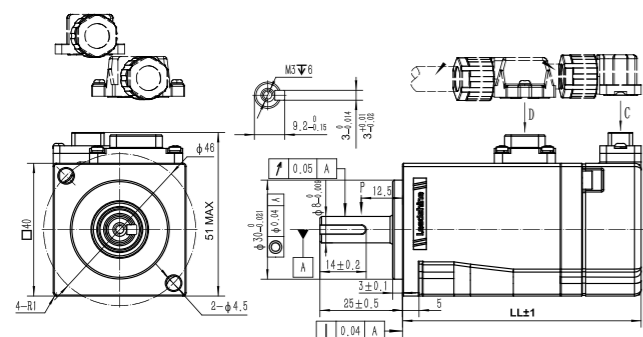
40mm Frame size & 50W~100W

Type Name	Frame Size (mm)	Brake	Voltage (VAC)	Power (W)	Speed (rpm)		Torque (Nm)		Current (Arms)		Permissible load to shaft (N)		Encoder	Inertia (kgm ² *10 ⁻⁴)	Weight (kg)	Motor Length (mm)				
					Rated	Max	Rated	Max	Rated	Max	Radial	Axial								
ELM1H-0050MA40E	□ 40	√	220	50	3000	5000	0.16	0.48	0.93	2.88	78	54	23-bit magnetic encoder	0.046	0.44	84				
ELM1H-0050MA40F		×												0.036	0.28	56.7				
ELM1H-0100MA40E		√												0.32	0.96	0.92	2.85	0.072	0.54	95
ELM1H-0100MA40F		×																0.062	0.38	67.7
ELM2H-0050LA40E		√		50			23-bit optical encoder	0.046	0.44	84										
ELM2H-0050LA40F		×						0.036	0.28	56.7										
ELM2H-0100LA40E		√						0.32	0.96	0.92				2.85	0.072	0.54	95			
ELM2H-0100LA40F		×													0.062	0.38	67.7			

Speed-Torque characteristics



Dimensions

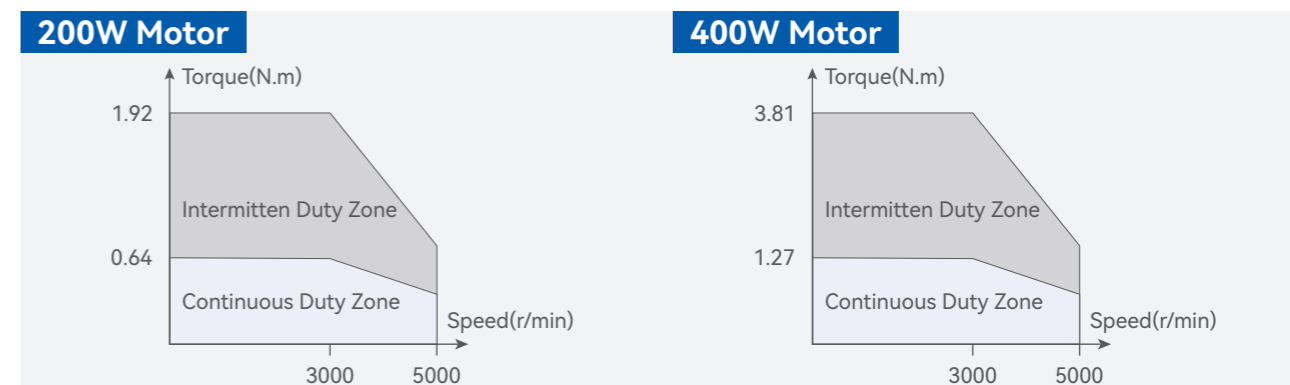


Motor model	LL
ELM*H-0050*A40E	84
ELM*H-0050*A40F	56.7
ELM*H-0100*A40E	95
ELM*H-0100*A40F	67.7

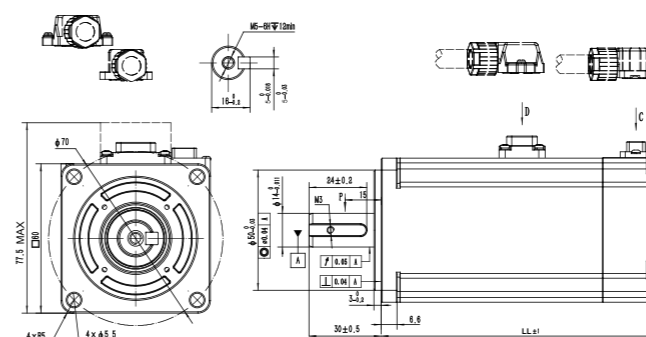
60mm Frame size & 200W~400W

Type Name	Frame Size (mm)	Brake	Voltage (VAC)	Power (W)	Speed (rpm)		Torque (Nm)		Current (Arms)		Permissible load to shaft (N)		Encoder	Inertia (kgm ² *10 ⁻⁴)	Weight (kg)	Motor Length (mm)				
					Rated	Max	Rated	Max	Rated	Max	Radial	Axial								
ELM1H-0200MA60E	□ 60	√	220	200	3000	5000	0.64	1.92	1.5	4.5	245	74	23-bit magnetic encoder	0.3	1.3	101.1				
ELM1H-0200MA60F		×												0.28	1.0	71.8				
ELM1H-0400MA60E		√												1.27	3.81	2.1	6.5	0.58	1.55	118.1
ELM1H-0400MA60F		×																0.56	1.3	88.8
ELM2H-0200LA60E		√		200			23-bit optical encoder	0.3	1.3	101.1										
ELM2H-0200LA60F		×						0.28	1.0	71.8										
ELM2H-0400LA60E		√						1.27	3.81	2.1				6.5	0.58	1.55	118.1			
ELM2H-0400LA60F		×													0.56	1.3	88.8			

Speed-Torque characteristics



Dimensions

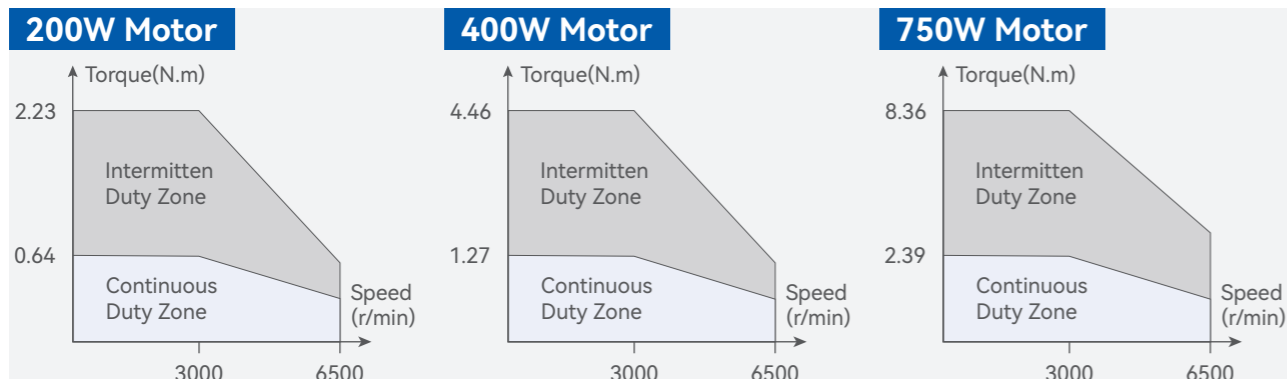


Motor model	LL
ELM*H-0200*A60E	101.1
ELM*H-0200*A60F	71.8
ELM*H-0400*A60E	118.1
ELM*H-0400*A60F	88.8

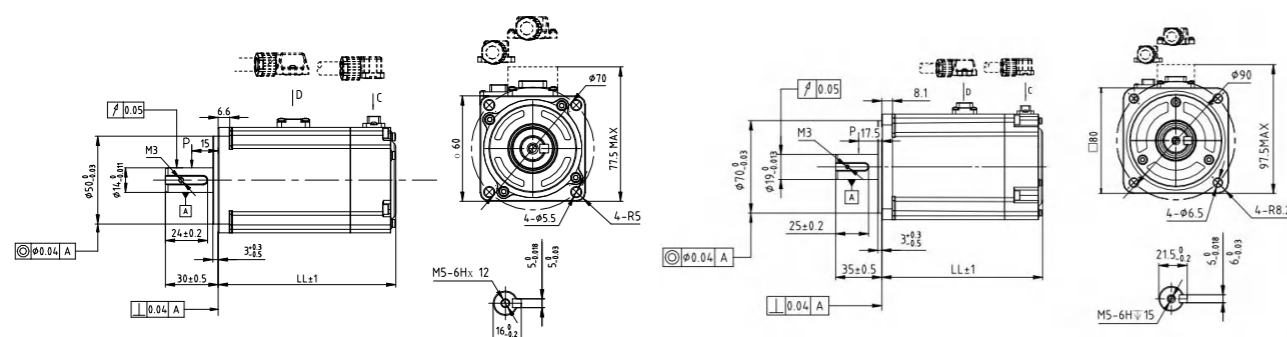
200W~750W

Type Name	Frame Size (mm)	Brake	Voltage (VAC)	Power (W)	Speed (rpm)		Torque (Nm)		Current (Arms)		Permissible load to shaft (N)		Encoder	Inertia (kgm ² *10 ⁻⁴)	Weight (kg)	Motor Length (mm)
					Rated	Max	Rated	Max	Rated	Max	Radial	Axial				
ELM2L-0200LA60E	□ 60	√	220	200	3000	6500	0.64	2.23	1.5	5.7	245	74	23-bit optical encoder	0.15	1.2	101.2
ELM2L-0200LA60F		x												0.14	0.85	71.8
ELM2L-0400LA60E		√												0.26	1.54	118.2
ELM2L-0400LA60F		x												0.25	1.19	88.8
ELM2L-0750LA80E	□ 80	√	220	750	3000	5000	2.39	8.36	4.2	16.1	392	147	23-bit optical encoder	0.79	2.74	121.9
ELM2L-0750LA80F		x												0.77	2.12	90.9

Speed-Torque characteristics



Dimensions



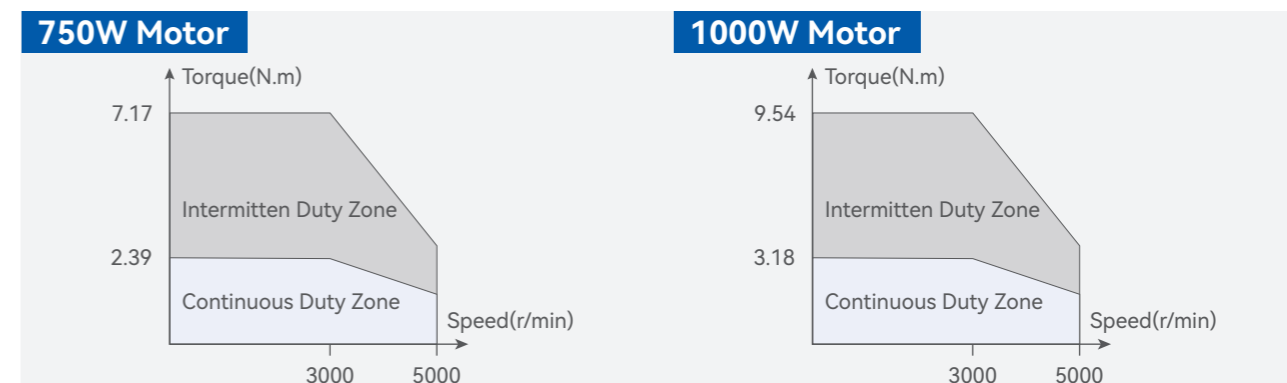
Motor model	LL	Motor model	LL
ELM2L-0200LA60E	101.2	ELM2L-0400LA60E	118.2
ELM2L-0200LA60F	71.8	ELM2L-0400LA60F	88.8

Motor model	LL
ELM2L-0750LA80E	121.9
ELM2L-0750LA80F	90.9

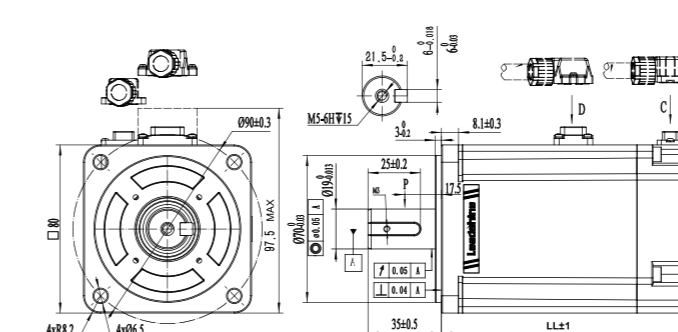
80mm Frame size & 750W~1000W

Type Name	Frame Size (mm)	Brake	Voltage (VAC)	Power (W)	Speed (rpm)		Torque (Nm)		Current (Arms)		Permissible load to shaft (N)		Encoder	Inertia (kgm ² *10 ⁻⁴)	Weight (kg)	Motor Length (mm)
					Rated	Max	Rated	Max	Rated	Max	Radial	Axial				
ELM1H-0750MA80E	□ 80	√	220	750	3000	5000	2.39	7.17	4.1	13.4	392	147	23-bit magnetic encoder	1.65	2.7	121.9
ELM1H-0750MA80F		x												1.5	2.12	90.9
ELM1H-1000MA80E		√												2.15	3.4	134.9
ELM1H-1000MA80F		x												2.0	2.8	103.9
ELM2H-0750LA80E	□ 80	√	220	750	3000	5000	2.39	7.17	4.1	13.4	392	147	23-bit optical encoder	1.65	2.7	121.9
ELM2H-0750LA80F		x												1.5	2.12	90.9
ELM2H-1000LA80E		√												2.15	3.4	134.9
ELM2H-1000LA80F		x												2.0	2.8	103.9

Speed-Torque characteristics



Dimensions



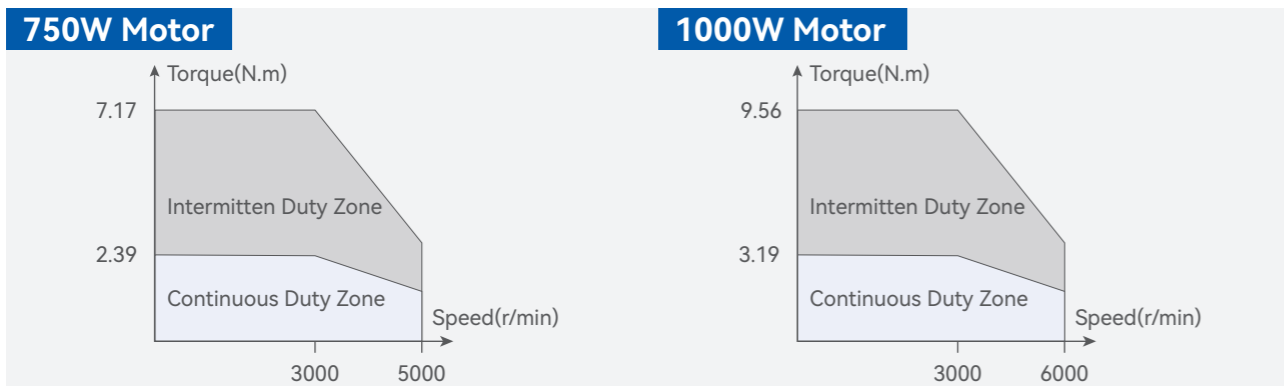
Motor model	LL
ELM*H-0750*A80E	121.9
ELM*H-0750*A80F	90.9
ELM*H-1000*A80E	134.9
ELM*H-1000*A80F	103.9



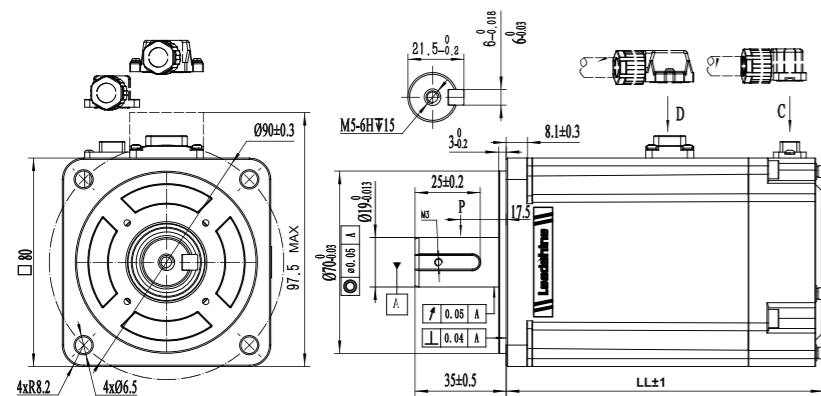
80mm Frame size & 750W~1000W

Type Name	Frame Size (mm)	Brake	Voltage (VAC)	Power (W)	Speed (rpm)		Torque (Nm)		Current (Arms)		Permissible load to shaft (N)		Encoder	Inertia (kgm ² *10 ⁻⁴)	Weight (kg)	Motor Length (mm)
					Rated	Max	Rated	Max	Rated	Max	Radial	Axial				
ELM2H-0750LA80ET	□ 80	√	400	750	3000	5000	2.39	7.17	2.7	8.8	392	147	23-bit optical encoder	1.65	2.7	121.9
ELM2H-0750LA80FT		x												1.5	2.12	90.9
ELM2H-1000LA80ET		√		1000	6000	3.19	9.56	4	12.4	2.15	3.4	134.9				
ELM2H-1000LA80FT		x								2.0	2.8	103.9				

Speed-Torque characteristics



Dimensions



Motor model	LL
ELM2H-0750LA80ET	121.9
ELM2H-0750LA80FT	90.9
ELM2H-1000LA80ET	134.9
ELM2H-1000LA80FT	103.9

Typical configuration examples

EL8 Series

Frame Size (mm)	Rated Power (W)	Motor Model	Matching Drive	Motor Length (mm)	Rated Torque (Nm)	Rated/Max Speed (rpm)	Rated Current (Arms)	Inertia (kgm ² *10 ⁻⁴)	Motor Cable	Encoder cable	Brake Cable	Turning Cable
40	50W (220V)	ELM2H-0050LA40F	EL8-RS400F EL8-EC400F	56.7	0.16	3000/5000	0.93	0.0355	CABLE-RZH*M*-114-TS- (R) 【without brake】 CABLE-RZSH*M*-114-TS- (R) 【with brake】 (Add "R" after the model for back facing motor wiring)	CABLE-BMH*M*-114-TS- (R) 【Incremental】 CABLE-BMH*M*-124-TS- (R) 【Absolute】 +ER14505 BOX-G (Battery Kit) (Add "R" after the model for back facing motor wiring)		CABLE-TYPEC2M0
		ELM2H-0050LA40E		84				0.0456				
	100W (220V)	ELM2H-0100LA40F		67.7	0.32	3000/5000	0.92	0.0620				
		ELM2H-0100LA40E		95				0.0721				
60	200W (220V)	ELM2H-0200LA60F	EL8-RS750F EL8-EC750F	71.6	0.64	3000/5000	1.5	0.29				
		ELM2H-0200LA60E		100.9				0.31				
	400W (220V)	ELM2H-0400LA60F		88.8	1.27	3000/5000	2.1	0.56				
		ELM2H-0400LA60E		118.1				0.58				
80	750W (220V)	ELM2H-0750LA80F	EL8-RS1000F EL8-EC1000F	90.9	2.39	3000/5000	4.1	1.5				
		ELM2H-0750LA80E		121.9				1.65				
	1000W (220V)	ELM2H-1000LA80F		103.9	3.18	3000/5000	5.7	2.03				
		ELM2H-1000LA80E		134.9				2.13				
130	850W (220V)	ELM2H-0850LD130F-H	EL8-RS1500F EL8-EC1500F	126	5.39	1500/4500	-	12.5	CABLE-RZH*M*-135-TS 【without brake】 CABLE-RZSH*M*-135-TS 【with brake】	CABLE-BMH*M*-115-TS 【Incremental】 CABLE-BMH*M*-125-TS 【Absolute】 +ER14505 BOX-G (Battery Kit)		
		ELM2H-0850LD130E-H		153.5				14.8				
	1300W (220V)	ELM2H-1300LD130F-H		144	8.43	1500/4500	-	18.7				
		ELM2H-1300LD130E-H		171.5				21				
1800W (220V)	ELM2H-1800LD130F-H	162	11.5	1500/4500	-	23.8						
	ELM2H-1800LD130E-H	189.5				26.1						

If you need brake cable, please select power cable with brake in the power cable column.

EL7 Series

Frame Size (mm)	Rated Power (W)	Motor Model	Matching Drive	Motor Length (mm)	Rated Torque (Nm)	Rated/Max Speed(rpm)	Inertia (kgm ² *10 ⁻⁴)	Motor Cable	Encoder cable	Brake Cable
40	50W (220V)	ELM2H-0050LA40F	EL7-RS400P EL7-EC400F EL7-EC400N EL7-PN400F	56.7	0.16	3000/5000	0.036	CABLE-RZH*M*-114-TS- (R) 【without brake】 CABLE-RZSH*M*-114-TS- (R) 【with brake】 (Add "R" after the model for back facing motor wiring)		
		ELM2H-0050LA40E		84			0.046			
	100W (220V)	ELM2H-0100LA40F		67.7	0.32	3000/5000	0.062			
		ELM2H-0100LA40E		95			0.072			
60	200W (220V)	ELM2H-0200LA60F	71.6	0.64	3000/5000	0.28	CABLE-BMH*M*-114-TS- (R) 【Incremental】 CABLE-BMH*M*-124-TS- (R) 【Absolute】 +ER14505 BOX-G (Battery Kit) (Add "R" after the model for back facing motor wiring)		If you need brake cable, please select power cable with brake in the power cable column.	
		ELM2H-0200LA60E	101.1			0.3				
	400W (220V)	ELM2H-0400LA60F	88.8	1.27	3000/5000	0.6				
		ELM2H-0400LA60E	118.1			0.62				
80	750W (220V)	ELM2H-0750LA80F	EL7-RS750P EL7-EC750F EL7-EC750N EL7-PN750F	90.9	2.39	3000/5000	1.8	CABLE-RZH*M*-114-TS- (R) 【without brake】 CABLE-RZSH*M*-114-TS- (R) 【with brake】 (Add "R" after the model for back facing motor wiring)		
		ELM2H-0750LA80E	121.9	1.95						
	1000W (220V)	ELM2H-1000LA80F	EL7-RS1000P EL7-EC1000F EL7-EC1000N EL7-PN1000F	103.9	3.2	3000/5000	2			
		ELM2H-1000LA80E	134.9	2.15						
	750W (380V)	ELM2H-0750LA80FT	EL7-RS750PT EL7-EC750FT EL7-EC750NT EL7-PN750FT	90.9	2.39	3000/5000	2.12			
		ELM2H-0750LA80ET	121.9	2.7						

EL6 Series

Frame Size (mm)	Rated Power (W)	Motor Model	Matching Drive	Motor Length (mm)	Rated Torque (Nm)	Rated/Max Speed(rpm)	Inertia (kgm ² *10 ⁻⁴)	Motor Cable	Encoder cable	Brake Cable
40	50W (220V)	ELM2H-0050LA40F	EL6-RS400P EL6-CAN400Z	56.7	0.16	3000/5000	0.036	CABLE-RZH*M*-114-TS- (R) 【without brake】 CABLE-RZSH*M*-114-TS- (R) 【with brake】 (Add "R" after the model for back facing motor wiring)	CABLE-BMH*M*-114-TS 【Incremental】 CABLE-BMH*M*-124-TS- (R) 【Absolute】 +ER14505 BOX-G (Battery Kit) (Add "R" after the model for back facing motor wiring)	If you need brake cable, please select power cable with brake in the power cable column.
		ELM2H-0050LA40E		84			0.046			
	100W (220V)	ELM2H-0100LA40F		67.7	0.64	3000/5000	0.062			
		ELM2H-0100LA40E		95			0.072			
60	200W (220V)	ELM2H-0200LA60F	71.6	2.39	3000/5000	0.28	CABLE-RZH*M*-114-TS- (R) 【without brake】 CABLE-RZSH*M*-114-TS- (R) 【with brake】 (Add "R" after the model for back facing motor wiring)	CABLE-BMH*M*-114-TS 【Incremental】 CABLE-BMH*M*-124-TS- (R) 【Absolute】 +ER14505 BOX-G (Battery Kit) (Add "R" after the model for back facing motor wiring)	If you need brake cable, please select power cable with brake in the power cable column.	
		ELM2H-0200LA60E	101.1			0.3				
	400W (220V)	ELM2H-0400LA60F	88.8	2.39	3000/5000	0.6				
		ELM2H-0400LA60E	118.1			0.62				
80	750W (220V)	ELM2H-0750LA80F	EL6-RS750P EL6-CAN750Z	90.9	4.9	3000/5000	1.8	CABLE-RZH*M*-114-TS- (R) 【without brake】 CABLE-RZSH*M*-114-TS- (R) 【with brake】 (Add "R" after the model for back facing motor wiring)	CABLE-BMH*M*-114-TS 【Incremental】 CABLE-BMH*M*-124-TS- (R) 【Absolute】 +ER14505 BOX-G (Battery Kit) (Add "R" after the model for back facing motor wiring)	If you need brake cable, please select power cable with brake in the power cable column.
		ELM2H-0750LA80E	121.9	1.95						
	1000W (220V)	ELM2H-1000LA80F	EL6-RS1000P EL6-CAN1000Z	103.9	8.34	3000/5000	2			
		ELM2H-1000LA80E	134.9	2.15						



● Headquarters in Shenzhen



● Shanghai Intelligent Industry Park

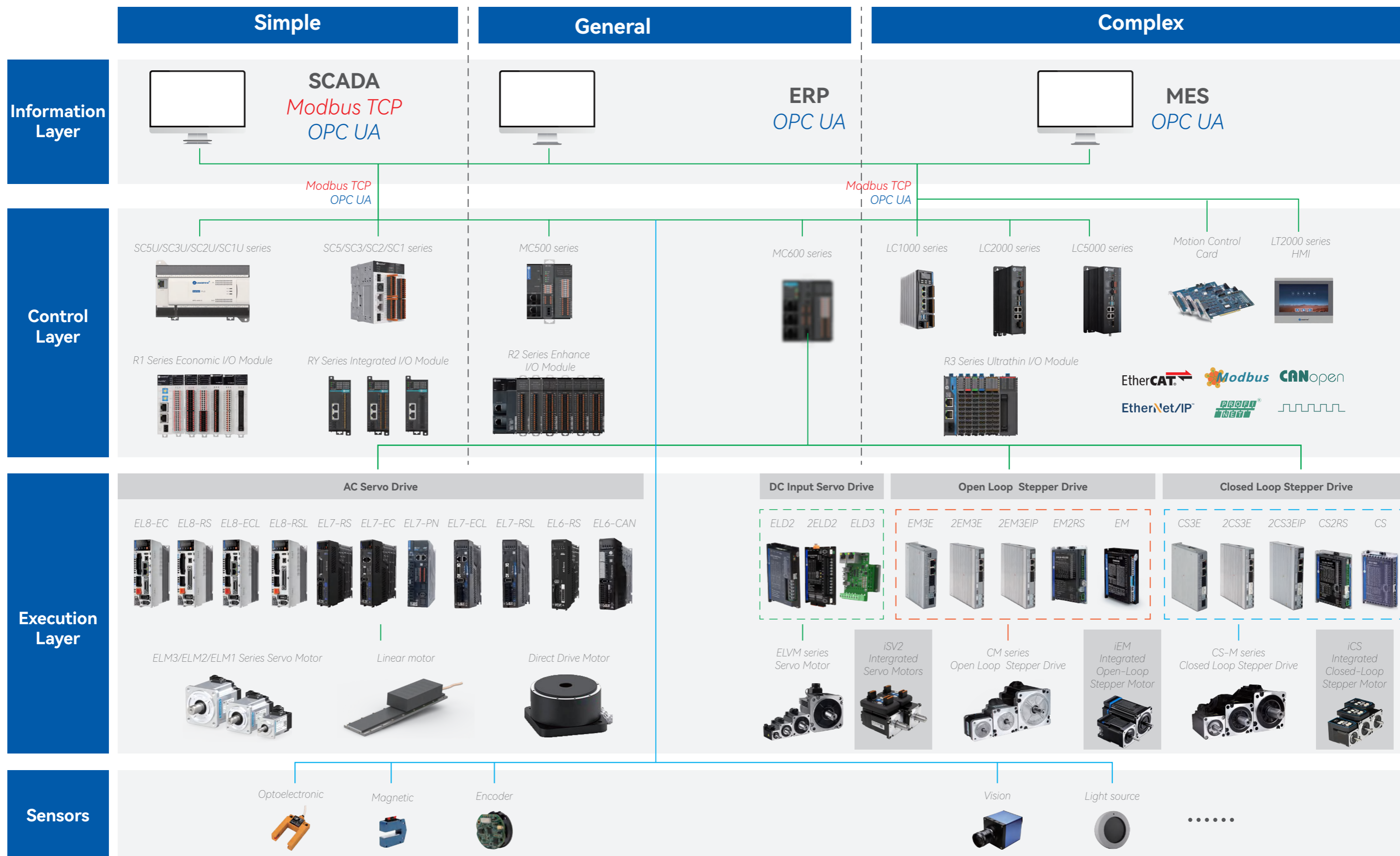


● Production base in Shenzhen

- **Founded in 1997**
- **Public Listed Company in China (002979.SZ)**
- **Dedication in Motion Control**
Stepper/Servo systems, Motion Controllers, PLC
Control systems, I/O Modules, Encoders
- **A leading supplier of motion control products and solutions in the world**
- **Customer Oriented, Technology Oriented, Forever Improving, Sharing of Success**

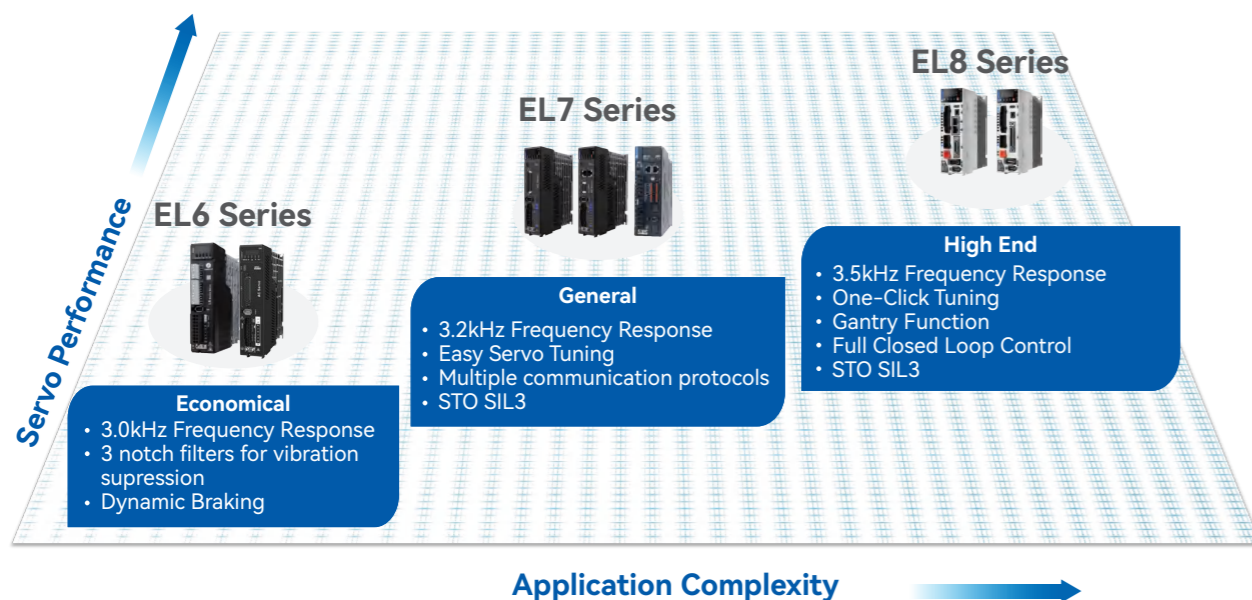
25+ Experience 400+ R&D Engineers 5 Subsidiaries 60+ Countries Clients 10000+ Global Partners 30million+ Installed Axes

Leadshine Motion Control Total Product System

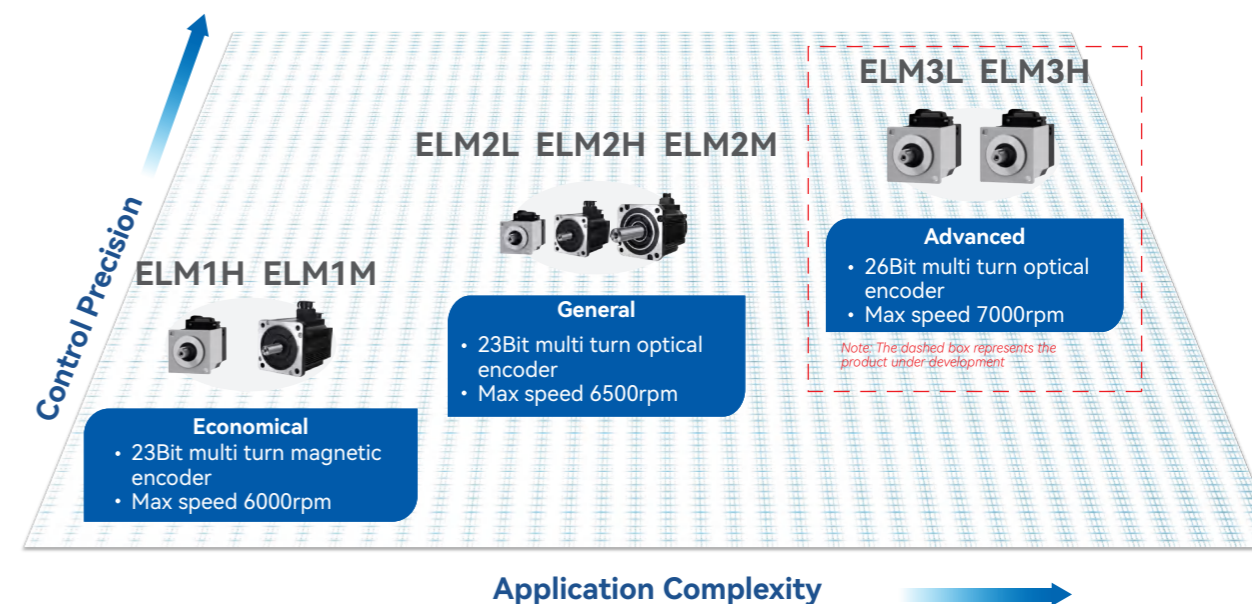


Leadshine Servo Product

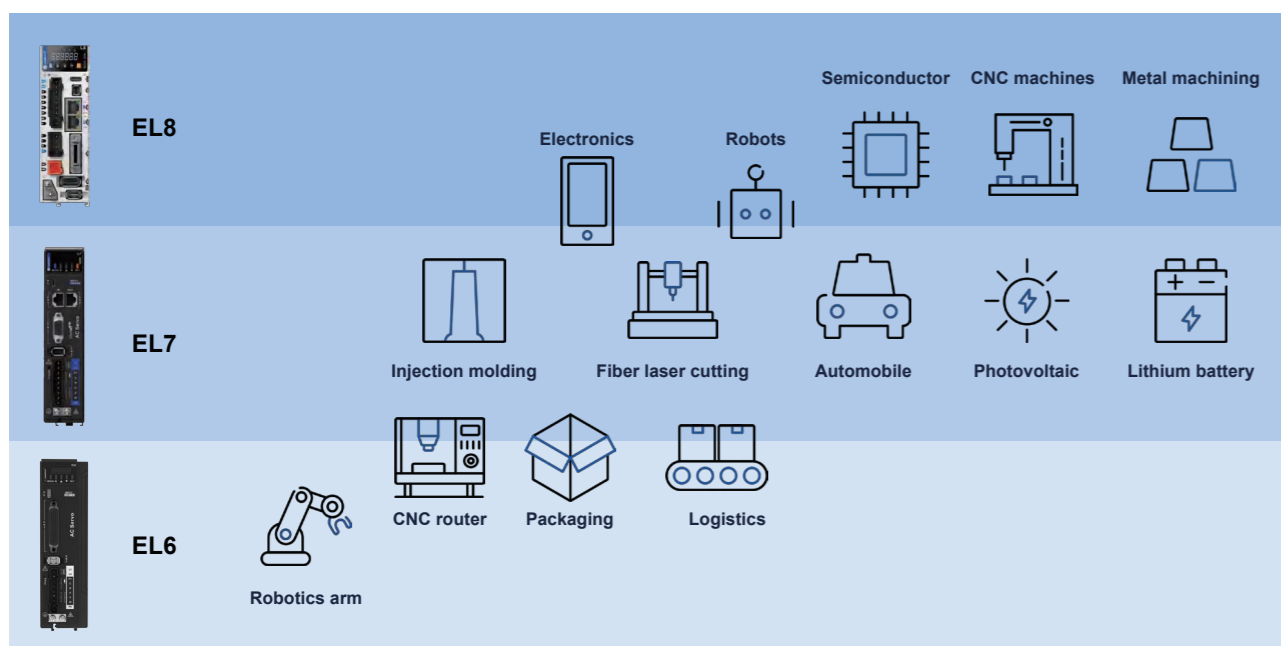
● Servo Drive Series



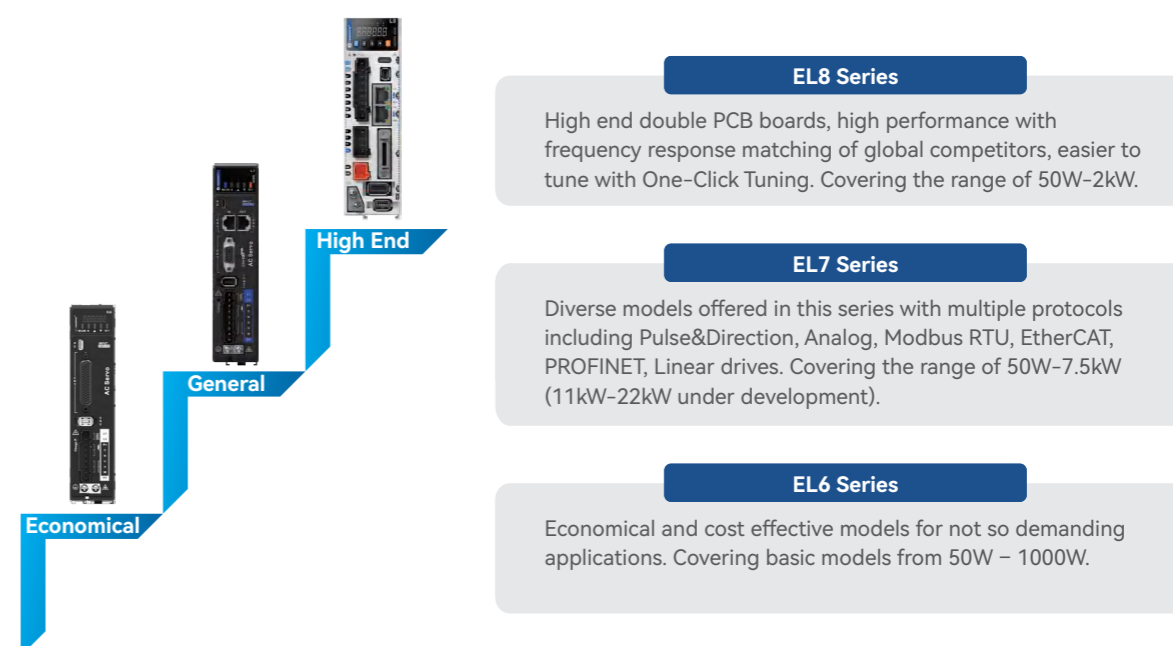
● Servo Motor Series



● Typical Applications



● Simple Introduction



Leadshine Servo Products Quick Selection

Servo Drive	Model	Power (W)	Voltage (VAC)	Dimensions (mm)	Weight (kg)	Command Source			Command Source			STO	Encoder Output	Brake Output	Digital Inputs (Points)	Digital Outputs (Points)	Analogue Input	Analogue Output	Matched Servo Motors
						Pulse+Dir	Analog Input		RS485	EtherCAT	CANopen								
AC Servo Drive EL8 Series	EL8-EC400F	400	1 Phase/ 3 Phase 220	150*150*43	1						√	√		8	3	2	2	ELM1 and ELM2 Servo Motors Please refer to page 84 to 87 for more information on matching servo motors	
	EL8-RS400F										√		√	√	√	10	6		3
	EL8-EC750F	750		150*160*55	1.2	√	√		√				√	8	3	2	2		
	EL8-RS750F					√	√		√	√		√	√	√	10	6	3		2
	EL8-EC1000F	1000		183*160*80	2							√	√		8	3	2		2
	EL8-RS1000F					√	√		√	√		√	√	√	10	6	3		2
	EL8-EC1500F	1500		183*160*80	2							√	√		8	3	2		2
	EL8-RS1500F					√	√		√	√		√	√	√	10	6	3		2
	EL8-EC2000F	2000		183*160*80	2							√	√		8	3	2		2
EL8-RS2000F	√		√				√	√		√	√	√	10	6	3	2			
AC Servo Drive EL7 Series - 220VAC	EL7-RS400P	400	1 Phase 220	175*156*40	0.9	√	√		√			√		8	5	2	1		
	EL7-RS750P	750		175*156*50	1.1	√	√		√			√		8	5	2	1		
	EL7-RS1000P	1000		175*156*50	1.2	√	√		√			√		8	5	2	1		
	EL7-RS1500P	1500	1 Phase/ 3 Phase 220	175*156*80	2.3	√	√		√			√		8	5	2	1		
	EL7-RS2000P	2000			2.3	√	√		√			√		8	5	2	1		
AC Servo Drive EL7 Series - 400VAC	EL7-RS750PT	750	3 Phase 400	179*175*55	1.3	√	√		√			√		8	5	2	1		
	EL7-RS1000PT	1000				√	√		√			√		8	5	2	1		
	EL7-RS1500PT	1500				√	√		√			√		8	5	2	1		
	EL7-RS2000PT	2000		179*175*80	1.9	√	√		√			√		8	5	2	1		
	EL7-RS3000PT	3000				√	√		√			√		8	5	2	1		
	EL7-RS4400PT	4400		230*250*90	3.3	√	√		√			√		8	5	2	1		
	EL7-RS5500PT	5500				√	√		√			√		8	5	2	1		
	EL7-RS7500PT	7500				√	√		√			√		8	5	2	1		
AC Servo Drive EL7 Series - 220VAC	EL7-EC400N	400	1 Phase 220	175*156*40	0.9					√	√		4	3					
	EL7-EC750N	750		175*156*50	1.2					√	√		4	3					
	EL7-EC1000N	1000	1 Phase/ 3 Phase 220	179*175*55	2.3					√	√		4	3					
	EL7-EC1500N	1500				√	√		4	3									
	EL7-EC2000N	2000				√	√		4	3									
AC Servo Drive EL7 Series - 400VAC	EL7-EC750NT	750	3 Phase 400	179*175*55	1.3					√	√		4	3					
	EL7-EC1000NT	1000				√	√		4	3									
	EL7-EC1500NT	1500				√	√		4	3									
	EL7-EC2000NT	2000		179*175*80	1.9	√	√		√	√		4	3						
	EL7-EC3000NT	3000				√	√		√	√		4	3						
	EL7-EC4400NT	4400		230*250*90	3.3					√	√		4	3					
	EL7-EC5500NT	5500				√	√		√	√		4	3						
	EL7-EC7500NT	7500				√	√		√	√		4	3						
AC Servo Drive EL6 Series	EL6-RS400P	400	1 Phase 220	175*156*40	0.9	√			√			√	√	8	5				
	EL6-CAN400Z										√			4	3				
	EL6-RS750P	750		175*156*50	1.1	√			√			√	√	8	5				
	EL6-CAN750Z										√			4	3				
	EL6-RS1000P	1000		175*156*50	1.2	√			√			√	√	8	5				
EL6-CAN1000Z									√			4	3						

Applications

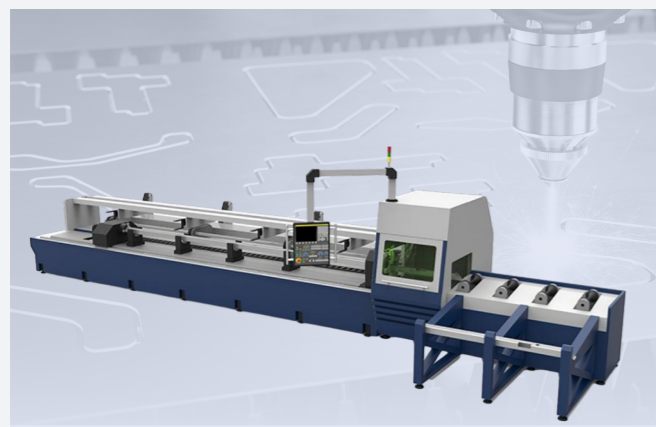
CNC Router



Product Advantages:

- High torque servo motor with 3 times overloading capability
- 23-bit encoders with great impact resistant and harsh environment resistance
- Servo drive optimized for CNC router applications
- Comes with safety features such as Safe Torque Off and Dynamic Braking
- Servo Motors maximum torque ranging from 0.105Nm up to 119Nm

Fiber Laser Cutting



Product Advantages:

- Great Compatibility with renowned laser cutting controller from FScut, Weihong, Beckhoff, Empower, etc.
- Available with most mainstream communication protocols (EtherCAT, Modbus RTU, PROFINET)
- Accurate positioning of 0.02mm and precision up to 0.01mm
- Easy servo tuning features to assist users in setting up the servo systems
- Robust and compact servo motors with high dust- and waterproof ratings

Wafer Cutting



- Full Closed Loop Control function to realize high accuracy control and real time compensation for lead screw wear.
- Real time control using EtherCAT/PROFINET servo drives.
- Easy-to-use, low maintenance and high reliability.

Automated Battery Lamination



- Linear Motors, Direct Drive Motors and Rotary Servo Motors are available.
- Production cycle time per part as low as 0.55s.
- High accuracy and precision motion control with servo drive frequency response of 3.5kHz

Semiconductor Wafer Cleaning



- High following capability with servo frequency response up to 3.5kHz
- Easy servo tuning features for notch filter settings and anti-vibration tunings
- Industrial Ethernet Standard with communication rate up to 100Mbps and compatible with any mainstream PLCs.