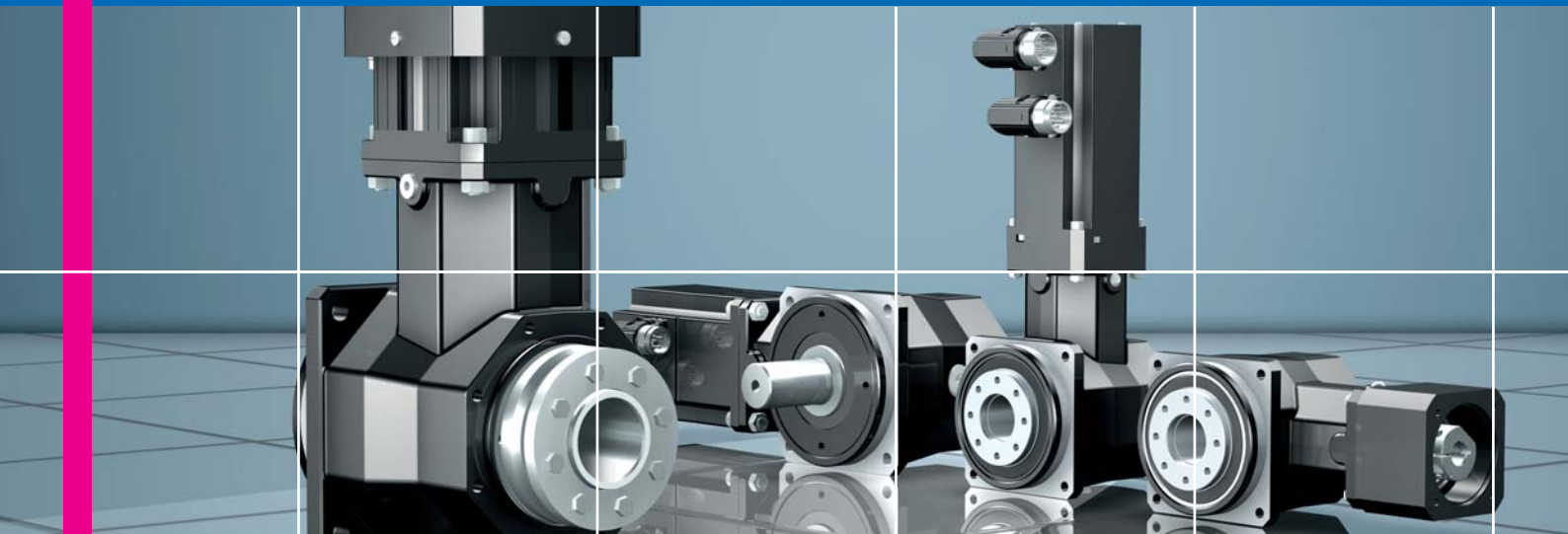


# SMS KS Right-Angle Servo Geared Motors



Super compact.  
Drives  
with maximum  
power density



**STÖBER**

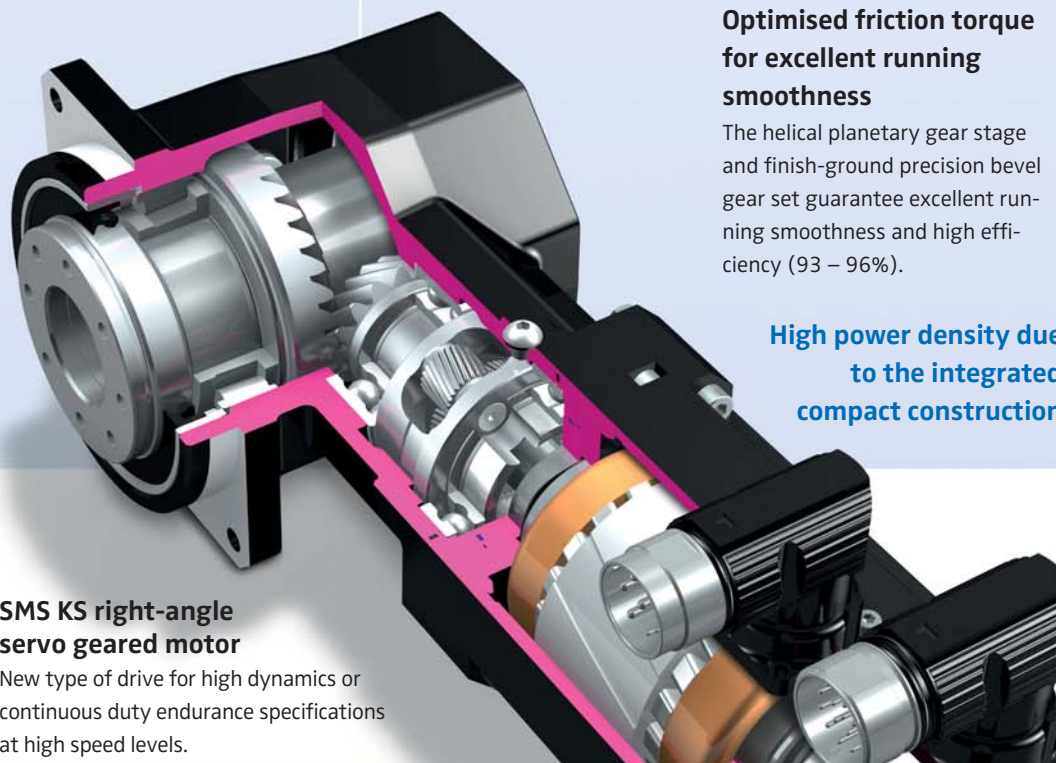
# Compact. Quiet. Ready for installation. Efficient.

## Highly rigid right-angle drive for servo applications

This innovative servo geared motor is an offset-free design.

The bevel gear stage, planetary gear unit and synchronous servo motor form an integrated compact unit with an extremely good interfering contour. When used with the square mounting flange, KS right-angle servo geared motors can be fitted tightly spaced.

This opens up new design possibilities for the packaging machinery, machine tool, automation and robotics industries.



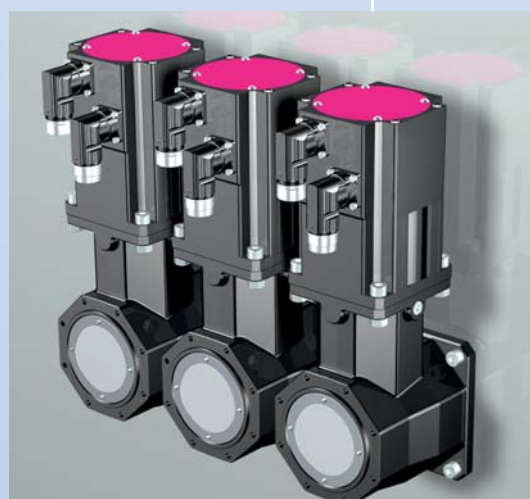
## Optimised friction torque for excellent running smoothness

The helical planetary gear stage and finish-ground precision bevel gear set guarantee excellent running smoothness and high efficiency (93 – 96%).

## High power density due to the integrated compact construction

### SMS KS right-angle servo geared motor

New type of drive for high dynamics or continuous duty endurance specifications at high speed levels.



The square mounting flange and symmetrical housing design allow very compact serial installation of several drives

Uncompromisingly practical

### SMS KS...EZ right-angle servo geared motor

Size		KS4	KS5	KS7
Input speed* max.	[min <sup>-1</sup> ]	6 000	5500-6000	4500-6000
Gear ratio	i [-]	6 – 20	6 – 40	6 – 80
Output speed	[min <sup>-1</sup> ]	150-1000	75 – 750	38 – 750
Acceleration torque max.	[Nm]	48 – 90	81 – 200	150 – 400
Emergency off torque	[Nm]	140	300	600
Weight approx.	[kg]	11 – 15	16 – 22	30 – 41
Standard backlash	[arcmin]	≤ 6	≤ 5	≤ 4

### SMS KS...ED /KS...EK right-angle servo geared motor

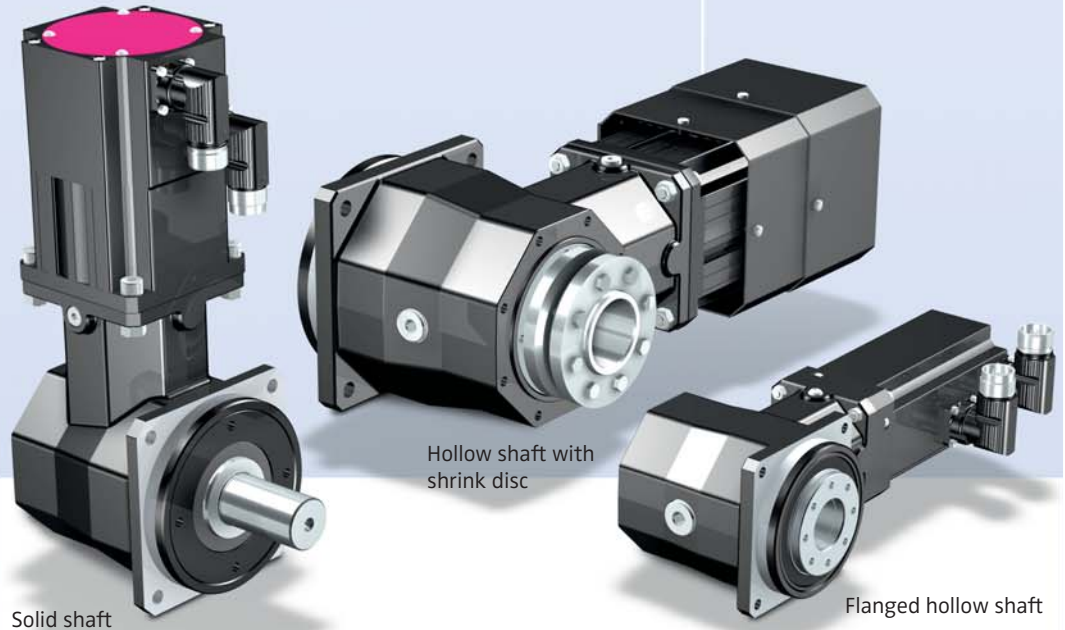
Size		KS4	KS5	KS7
Input speed* max.	[min <sup>-1</sup> ]	6 000	5500-6000	4500-6000
Gear ratio	i [-]	6 – 140	6 – 100	6 – 100
Output speed	[min <sup>-1</sup> ]	21 – 1 000	30 – 750	30 – 700
Acceleration torque max.	[Nm]	44 – 90	87 – 200	190 – 400
Emergency off torque	[Nm]	140	300	600
Weight approx.	[kg]	10 – 14	15 – 26	29 – 49
Standard backlash	[arcmin]	≤ 6	≤ 5	≤ 4

\*(cycle operation)

## ... and for high dynamics

### Application flexibility with three sizes and three different output shafts

The output shaft is available as a solid shaft, hollow shaft (with shrink disc for slip-fit attachment) or flanged hollow shaft for central routing of supply lines.



### ServoFit® KS right-angle servo gear unit

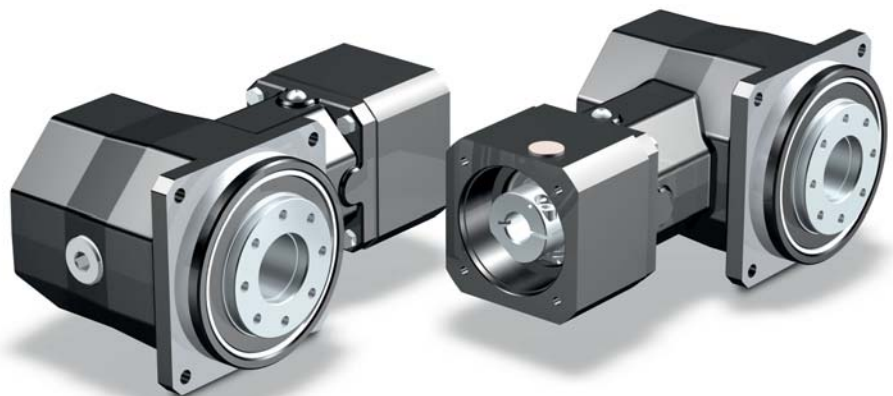
The advantages of this new design also operate with servo motors from other motor manufacturers.

The KS4, KS5 and KS7 gear unit sizes are suitable for acceleration torques of 90 to 400 Nm.

### With motor adapter for free choice of motor

With the ME adapter it takes barely a minute to adapt the motor. The precise centering of the motor adapter prevents installation errors. The friction-locked connection is made with just one clamping screw.

With the ME-L (Large) adapter motors with a larger square flange and larger shaft can be attached. Comes with an integrated thermal expansion feature.





### STÖBER offers consistent solutions

As a system supplier STÖBER has its own complete product range for digital drive technology. The MC6 motion controller uses the CODESYS programming software to keep up with the trend towards open systems in the world of automation.

In combination with digital servo axes, STÖBER solutions can be used for small or more extensive drive applications.

### Note on the design of axes and drives

For optimum axis design, it makes sense to focus primarily on the gear units or geared motors. A useful aid is the design software SERVOfsoft which you can download from the STÖBER website (PRODUCTS > Software/Download > SERVOfsoft).

For an overall approach, use the specific expertise of the STÖBER application consultants.

Contact and advice:  
applications@stoeber.de

**STOBER DRIVES LTD.**  
CANNOCK WS12 2HA  
UNITED KINGDOM  
mail@stober.co.uk

**STOBER DRIVES, INC.**  
MAYSVILLE, KY 41056  
USA  
sales@stober.com

**STÖBER ANTRIEBSTECHNIK GmbH**  
4663 LAAKIRCHEN  
AUSTRIA  
office@stoeber.at

**STOBER CHINA**  
BEIJING 100004  
CHINA  
info@stoeber.cn

**STOBER S.a.r.l.**  
69300 CALUIRE ET CUIRE  
FRANCE  
mail@stober.fr

**STÖBER TRASMISSIONI S.r.l.**  
20017 RHO (MI)  
ITALY  
info@stoeber.it

**STOBER Japan K.K.**  
TOKYO  
JAPAN  
mail@stober.co.jp

**STOBER Singapore Pte. Ltd.**  
SINGAPORE 787494  
SINGAPORE  
info@stoeber.sg

**STÖBER Schweiz AG**  
5453 REMETSCHWIL  
SWITZERLAND  
info@stoeber.ch

### Service

The STÖBER service system comprises 38 expert partners in Germany and more than 80 companies in the STÖBER SERVICE NETWORK worldwide.

This service concept guarantees local expertise and availability when needed.

In general, the service specialists in the Pforzheim factory can be reached at any time via a 24/7 service hotline.

When necessary, a problem can be addressed immediately.

**24/7 service hotline  
+49 180 5 786323**

### STÖBER ANTRIEBSTECHNIK GmbH + Co. KG

Kieselbronner Str. 12  
75177 PFORZHEIM  
GERMANY  
Phone +49 7231 582-0  
Fax +49 7231 582-1000  
mail@stoeber.de  
www.stoeber.de



**STÖBER**