

## Original Assembly and Maintenance Instructions

Linear Unit

**HSB-delta**<sup>®</sup>

Types

Delta 90-ZRS

Delta 110-ZSS

Delta 145-ZSS

Delta 145-C-ZSS

Delta 200-ZSS

Delta 240-ZSS

Delta 240-C-ZSS



# Contents

<b>1</b>	<b>Safety</b> .....	<b>2</b>
1.1	Symbols used .....	2
1.2	Regulation use .....	2
1.3	General safety .....	3
1.4	Use in clean rooms .....	3
1.5	Use in explosive environments .....	3
1.6	Technical condition of the linear unit .....	4
1.7	Modifications to the linear unit .....	4
1.8	Requirements for personnel .....	5
1.9	Obligations of the operating company .....	5
<b>2</b>	<b>Warranty</b> .....	<b>6</b>
<b>3</b>	<b>Technical data – Standard model</b> .....	<b>7</b>
<b>4</b>	<b>Product description</b> .....	<b>10</b>
<b>5</b>	<b>Transportation and storage</b> .....	<b>13</b>
<b>6</b>	<b>Installation and adjustment</b> .....	<b>14</b>
6.1	Installing the linear unit by mounting rails .....	14
6.2	Screwing the linear unit into place from below .....	15
6.3	Setting maximum travel .....	15
6.3.1	Setting the positions of the inductive limit switches .....	16
6.3.2	Setting the positions of the mechanical limit switches .....	17
6.4	Mounting a drive unit .....	18
6.4.1	Mounting a motor .....	19
<b>7</b>	<b>Start-up</b> .....	<b>20</b>
<b>8</b>	<b>Operation</b> .....	<b>21</b>
<b>9</b>	<b>Shutdown</b> .....	<b>21</b>
<b>10</b>	<b>Maintenance</b> .....	<b>22</b>
10.1	Lubrication .....	22
10.2	Replacing the timing belt .....	25
10.3	Replacing cover bands .....	29

# 1 Safety

This operating manual is an integral part of the machine package, and must be kept permanently ready to hand as a reference source. It must be passed on with the machine if the machine is sold on.

If there is anything in this manual which you do not fully understand, please be sure to contact the manufacturers.

## 1.1 Symbols used

This manual employs the following symbols to indicate hazards as well as other types of symbol:

DANGER



Indicates immediate danger.  
Failure to observe this notice entails risk of death or very serious injury.

WARNING




Indicates a danger carrying a medium to high risk.  
Failure to observe this notice may result in death or serious injury.

CAUTION



Indicates minor risk.  
Failure to observe this notice may result in light to moderate injury or damage to property.

 Note

Indicates tips on use of the machine and optimising its efficiency.

## 1.2 Regulation use

The mechanical linear unit is intended to be used solely for manipulating, positioning, transporting, palletising, loading, unloading, clamping, clocking, tensioning, testing, measuring, handling and pushing workpieces or tools.

Pay attention to the basic applications of the linear unit set out in sections 4 and 3.

In order to comply with the EU Directive governing Electromagnetic Compatibility (EMC), the mechanical linear unit may only be used in industrial environments, as defined in European standard EN 61000-6-1.

Any other use, or use for purposes beyond those stipulated, will be classed as illegitimate. The manufacturers accept no liability for any loss thereby incurred. The risk is borne solely by the operators.

### 1.3 General safety

**Preconditions for operation**

The linear unit must not be put into operation until the machine or line into which it is installed conforms to the following:

- Relevant accident prevention regulations
- Generally accepted safety standards
- EU directives
- Standards governing the electromagnetic compatibility of machinery
- Other applicable standards
- Applicable national legislation.

**Safe operation**

To ensure safe operation, refer to the following documents:

- This operating manual for the linear unit, particularly the technical data
- The operating manual for the line into which it is installed

### 1.4 Use in clean rooms (ISO 14644)

The linear units used in clean rooms are fitted with a vent hole (generally G1/8") at the basic profile.

The following guidelines must be observed:

- The linear unit must be subjected to a negative pressure of 0.8 bar.
- The linear unit must be relubricated with a grease suitable for use in clean rooms (basic lubrication carried out using Klüberplex BE11-462).

### 1.5 Use in explosive environments



If the linear units are used in potentially explosive environments, operators must take steps to prevent explosions in accordance with ATEX Directives 94/9/EC and 1999/92/EC and ensure explosion-proofing is installed.

The following ATEX rules must be observed:

- Operators must check the linear unit at least once a week, and ideally every day. The checks should cover: smooth running, functionality of all seals, and adequate lubrication.
- After being in continuous service for approximately 5000 hours, the functionality of the linear unit must be checked by a qualified expert assigned by the manufacturer.

- The operator/manufacturer of the end-product must ensure that the linear unit is integrated into the potential equalisation system of the overall plant at the ports provided for the purpose. Where the unit is used in a dust-explosion hazard zone, the compressed air supply must additionally be connected to the linear unit.
- The limit switches must be supplied via an isolating amplifier. For the EX isolation an intrinsically safe input circuit is required. The isolating amplifier is not supplied by HSB.
- The linear unit may only be used under the conditions approved by the manufacturer. They include:
  - Ambient temperature
  - Maximum output
  - Speed < 1 m/s; When using a monitored central lubrication system up to 1.5 m/s, and where the unit is used in a dust-explosion hazard zone additionally with a monitored compressed air supply
  - Loading
  - Pressure
  - Frequency etc.

## 1.6 Technical condition of the linear unit

### State of the art

The unit conforms to the current state of the art and applicable rules and regulations. The unit conforms to the EU Machinery Directive, harmonised European standards or corresponding national standards:

- EN ISO 12 100-1 and 12 100-2 Safety of machinery, equipment and plant
- DIN EN 418: Safety of machinery; emergency-stop devices
- DIN EN 60,204: Electrical equipment for industrial machines
- EN 61000-6-1, EN 61000-6-3: Electromagnetic compatibility (EMC)

## 1.7 Modifications to the linear unit

### Modifications

The linear unit must not be modified, either in its basic design or in its safety components, without our written consent. Any such unauthorised modification will void our liability in respect of the unit.

The operating company may only carry out the maintenance and repair work detailed in this operating manual. Any other measures, such as to replace wearing parts and components, may be carried out only in consultation with our service engineers, by the service engineers themselves, or by us directly.

Installed safety devices must never be dismantled or disabled.

When fitting special attachments to the unit, follow the fitting instructions provided by the manufacturers!

## 1.8 Requirements for personnel

The linear unit has been designed and built in accordance with the state of the art and accepted safety standards. Hazards may nevertheless be posed when operating it. Consequently, the unit may only be installed and operated by trained, competent personnel.

All personnel assigned to install, operate, maintain, repair or dismantle a linear unit must have read and understood this operating manual, and in particular section 1, "Safety".

Work on parts carrying live electrical current may be carried out only by trained electricians. Such work includes:

- Installing safety limit switches
- Mounting a drive unit
- Checking the direction of rotation of the drive

## 1.9 Obligations of the operating company

### Instruction of personnel

In accordance with EU Health and Safety Directive 89/655/EEC articles 6(1) and 7 and with the Framework Directive 89/391/EEC articles 1(1) and 6(1), the company operating the linear unit must provide personnel assigned to install, operate, maintain, repair or dismantle the unit with appropriate instruction, in particular with regard to safety. We recommend that companies require their personnel to provide written confirmation of having received such instruction.

### Checking the unit

In accordance with EU Health and Safety Directive 89/655/EEC article 4a, the operating company must subject to the unit to thorough checking prior to putting it into operation, after carrying out repairs, and after malfunctions have occurred.

### Legibility and maintenance of affixed notices and labels

The operating company must ensure that all notices and labels attached to the unit are fully legible (in particular details of the serial number) and must ensure compliance with all instructions contained on them. Damaged or illegible notices and labels must be replaced.

## 2 Warranty

The warranty conditions are laid down in the terms and conditions of delivery and payment issued at time of order. Warranty cover will be voided if:

- the unit is not operated in accordance with the stipulated regulation use;
- the instructions set out in this operating manual are not followed;
- the unit is modified without the consent of the manufacturers;
- screws sealed by locking varnish are unlocked.

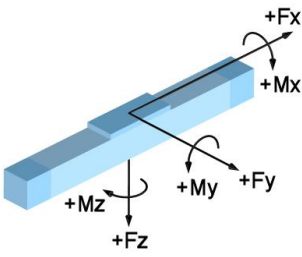
The manufacturer's warranty in respect of maintenance and repair work applies only if original replacement parts are used.



### 3 Technical data – Standard model

Linear unit model Typ Delta ZRS/ZSS	Sizes						
	90	110	145	145-C	200	240	240-C
Drive element	Tooth belt						
	32 AT5-E	25 AT5-E	50 AT5-E	60 AT5-E	75 AT10	50 AT10-E	50 AT10-E
Mass inertia [kgm <sup>2</sup> ]	3,00 x 10 <sup>-4</sup>	3,00 x 10 <sup>-4</sup>	3,00 x 10 <sup>-4</sup>	2,85 x 10 <sup>-3</sup>	1,20 x 10 <sup>-2</sup>	2,00 x 10 <sup>-2</sup>	2,00 x 10 <sup>-2</sup>
Stroke per revolution [mm]	100	90	110	150	220	150	180
Velocity max. [m/s]	5	5	5	5	5	5	5
Acceleration max. [m/s <sup>2</sup> ]	30	40	40	40	60	60	60
No-load torque [Nm]	0,4	1,6	2,2	3,0	3,8	5,5	5,5
Maximum travel (standard) [mm]	3720	720	1660	7920	3520	2550	7540
Length of standard/long carriage [mm]	160 / 240	145 / 265	180 / 300	180 / 300	250 / 400	280 / 400	280 / 400
Repeat accuracy [mm]	± 0,08	± 0,08	± 0,08	± 0,08	± 0,08	± 0,08	± 0,08
Operating temperature [°C] (continuous operation)	0 ... 80	0 ... 80	0 ... 80	0 ... 80	0 ... 80	0 ... 80	0 ... 80
Geometrical moment of inertia I <sub>y</sub> [mm <sup>4</sup> ]	223758	267967	747431	1222896	3868726	6382473	4852964
Geometrical moment of inertia I <sub>z</sub> [mm <sup>4</sup> ]	1203307	2519555	7649112	7494306	28046412	61720897	38448444
Weight (without travel) [kg]	2,95	6,8	13,2	14,5	25	27	25,5
Weight (per 100 mm travel) [kg]	0,42	1	1,4	1,3	2	3,2	2,75
Weight of standard carriage [kg]	1,3	2,8	4,9	4,5	8,2	9,8	9,8
Weight of long carriage [kg]	1,85	5,1	8,2	6,1	10,5	14	14
Noise emission max. [dB A] <sup>1)</sup>	75	75	75	75	75	75	75

<sup>1)</sup> The figure will vary based on assembly with other system components



**Forces and moments - Delta linear unit with timing belt drive**

Type designation	Dynamic forces [Nm]				Dynamic moments [Nm]			
	F <sub>x</sub>	F <sub>y</sub>	F <sub>z</sub>	-F <sub>z</sub>	M <sub>x</sub>	M <sub>y</sub>	M <sub>z</sub>	M <sub>no-load</sub>
Delta 90-ZRS	800	500	1000	1000	60	80 (110)	80 (110)	0.40
Delta 110-ZSS	750	1200	3000	1500	500	650 (1100)	650 (1100)	1.60
Delta 145-ZSS Delta 145-C-ZSS	1900	2500	5000	3000	800	1000 (1600)	1000 (1600)	2.20
Delta 200-ZSS	4000	5000	8000	5000	3500	4300 (6000)	3200 (4500)	3.80
Delta 240-ZSS	2500	6000	12000	8000	4500	6000 (8500)	4500 (6400)	5.50
Delta 240-C-ZSS	3800	6000	12000	8000	4500	6000 (8500)	4500 (6400)	5.50

Figures in ( ) relate to the long carriage.

M<sub>no-load</sub> = No-load torque ±30 %

The forces and moments quoted are maximum values for the single load. In the event of combined loading or simultaneous occurrence of multiple moments or forces, the individual values must be reduced. In case of doubt consult Technical Support.

### Dynamic load ratings of rail guides - linear unit Delta ZSS

(THK and Rex = Rexroth)

Model	Size	Number of rails	Number of carriages	Load rating per carriage C <sub>dyn</sub> [N] THK / Rex	Pre-tension F <sub>v</sub> THK / Rex	Guide spacing in direction x (lx1) [mm]	Guide spacing in direction y (ly) [mm]
Delta 110	15	2	4	11271 / 7800	5% / 8%	90 (210)	66
Delta 145	20	2	4	17700 / 18800	5% / 8%	114 (234)	87
Delta 145-C	20	2	4	17700 / 18800	5% / 8%	87 (207)	87
Delta 200	25	2	4	25160 / 22800	5% / 8%	144 (294)	126
Delta 240	25	2	4	25160 / 22800	5% / 8%	200 (320)	150
Delta 240-C	25	2	4	25160 / 22800	5% / 8%	200 (320)	150

Figures in ( ) relate to the long carriage.

The load rating and pre-tension figures relate to the standard linear guidance system with recirculating linear ball bearings.

**Static and dynamic load ratings of roller guides - linear unit Delta ZRS**

Model	Size (∅) [mm]	Number of load-bearing rollers for Fz	Number of load-bearing rollers for Fy	Load rating per roller C <sub>stat</sub> [N]	Load rating per roller C <sub>dyn</sub> [N]	Guide spacing* in direction x [mm]		Guide spacing in direction y [mm]
						lx1	lx2	
Delta 90	20	4	2	600	1.500	100 (180)	100 (180)	54.5

The pre-tension per roller is approximately 5 %.

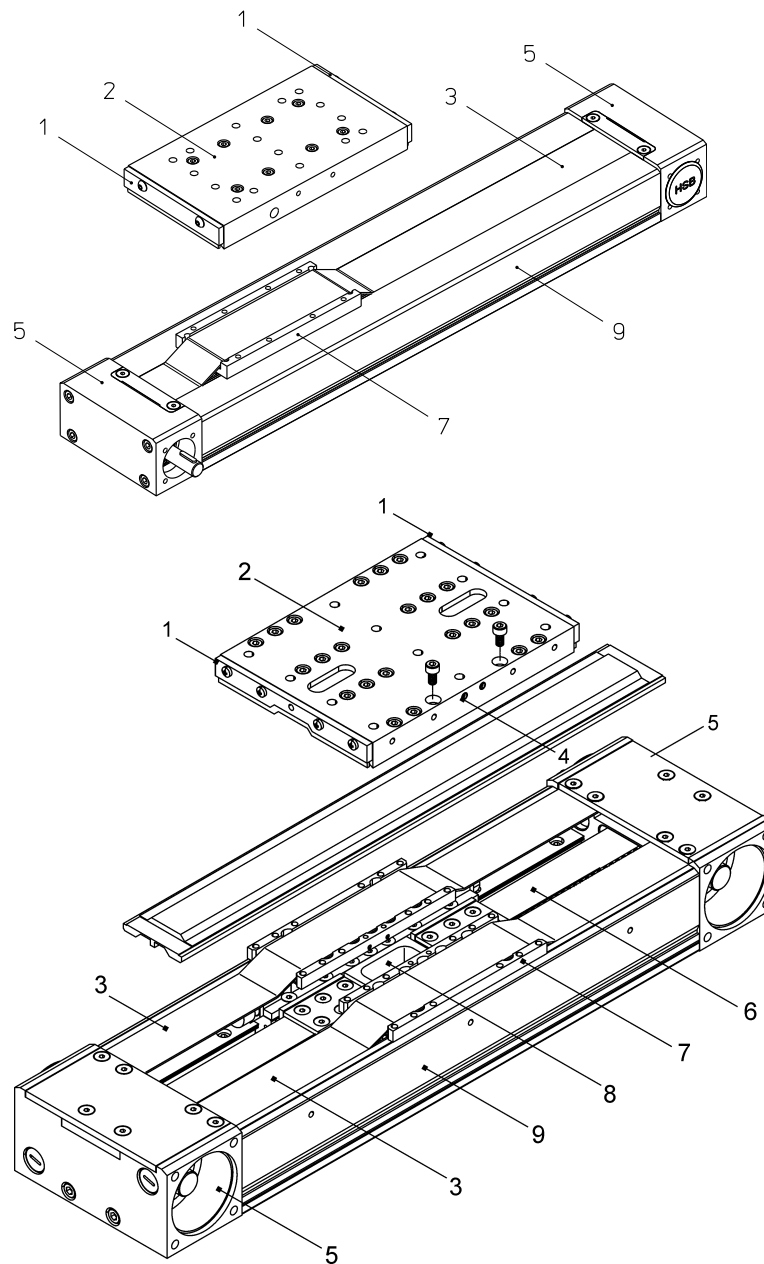
Tightening torques [Nm] for fixing screws						
Fixing screws	M4	M5	M6	M8	M10	The figures given are intended as guides. For shorter insertion depths, the figures must be adjusted accordingly.
DIN912/ISO4762-8.8	2.7	5.4	9.0	22.0	43.0	
DIN912/ISO4762-10.9	3.0	5.7	9.0	22.0	43.0	
DIN912/ISO4762-12.9	3.0	5.7	9.0	22.0	3438.0	

Tightening torques [Nm] for clutch with clamping hub					
Size	14	19	24	28	38
Clutch diameter [mm]	30	40	55	65	80
Screw size	M3	M6	M6	M8	M8
Tightening torque [Nm]	1.34	10.50	10.50	25.00	25.00

Tightening torques [Nm] for clutch with clamping ring hub					
Size	14	19	24	28	38
Clutch diameter [mm]	30	40	55	65	80
Screw size	M3	M4	M5	M5	M6
Tightening torque [Nm]	1.34	2.90	6.00	6.00	10.00

## 4 Product description

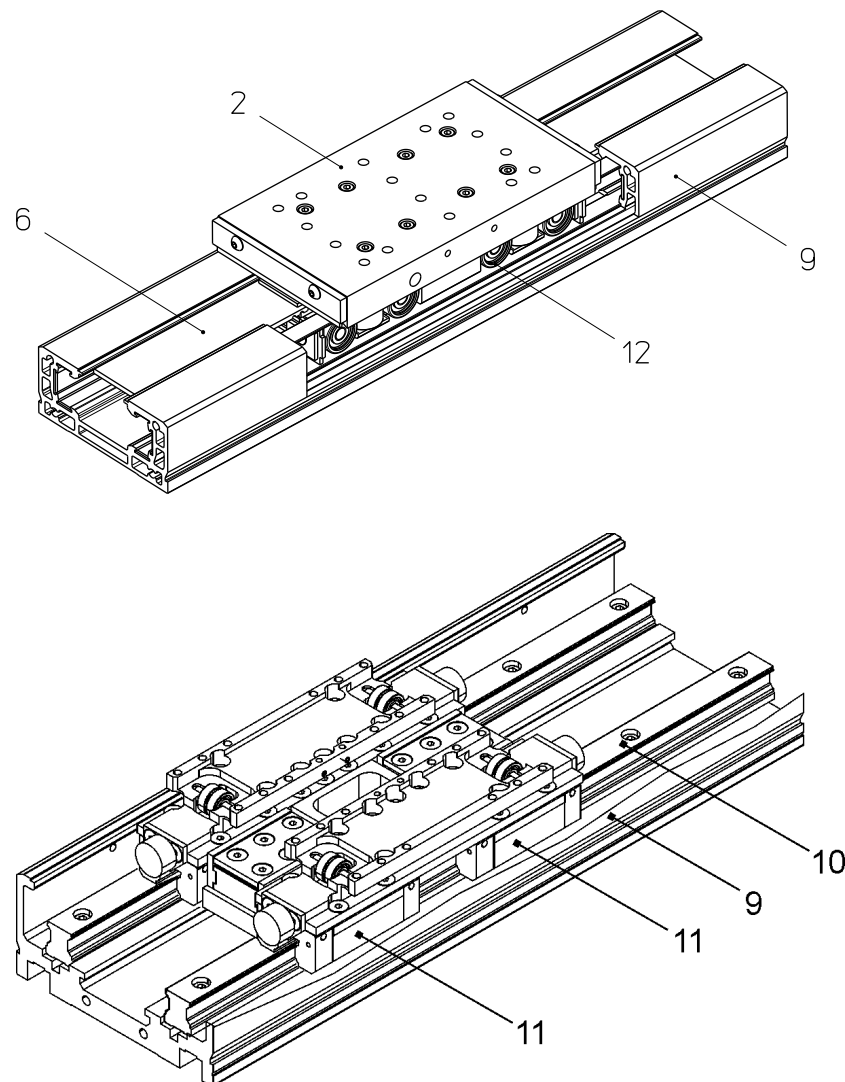
**Linear unit with timing belt drive and roller guideway or rail guidance**



Key	1	Stripper brush	6	Timing belt
	2	Carriage	7	Driver
	3	Cover band	8	Timing belt driver
	4	Lubricating nipple	9	Base profile
	5	Bearing casing		

*Figure 1: Component assemblies of the Delta 90 (above) and Delta 110 linear unit with timing belt drive*

### Guide elements roller guideway and rail guidance



Key	2	Carriage	10	Guide rail
	6	Timing belt	11	Recirculating ball bearing
	9	Base profile	12	Roller guideway

Figure 2: Rail guidance of the Delta 90 (oben) and Delta 110 linear unit

A mechanical linear unit converts rotational motion into linear motion and is used to move loads quickly, safely and precisely from one position to another. It consists of an aluminium base profile, a moving carriage supported by a guide element (recirculating ball bearing guidance system) and a drive element (screw or timing belt drive).

Depending on its design, the carriage is able to absorb forces and moments in all directions, and is positively connected to the guidance and drive elements by way of the so-called drivers.

The base profile is self-supporting up to a certain length, and is equipped with grooves for mounting.

As an option, the linear unit can be equipped with accessories such as inductive or mechanical limit switches and other fittings (see section **6.3**).

The effective range can be flexibly configured. Multiple linear units of the Alpha, Beta or Delta type can be arranged two-dimensionally (2 axes) or three-dimensionally (3 axes).

Driven linear units can be connected to non-driven units of the same type by a plate, to be able to take large-area loads for example.

## 5 Transportation and storage

The mechanical linear unit is a precision item. Its mechanism may be damaged by heavy jolting, resulting in impairment of its functions.

CAUTION




---

Risk of damage by heavy jolting or deformation!

Transport the assembled linear unit only with the transportation safety fixtures attached.

---

To prevent damage during transportation and storage, protect the linear unit against shaking and sliding as follows:

- Stow it in a box of sufficient size.
- Use packing.

Section 3 lists the unit weights.

Protect the unit against:

- dirt;
- corrosion;
- water;
- and aggressive atmospheres.

## 6 Installation and adjustment

The linear unit can be attached by the following methods:

- On mounting rails
- By screws inserted into the sliding blocks
- By screws inserted into the factory-fitted tapped hole rails

☛ Install the linear unit on a flat surface. Unit parallelism  $< 0.2 \text{ mm} / 1000 \text{ mm}$ .

☛ Mounting by the rails with tapped holes in them is the preferable solution:  
for highly dynamic applications;  
where the linear unit has only two attachment points.

### 6.1 Installing the linear unit by mounting rails

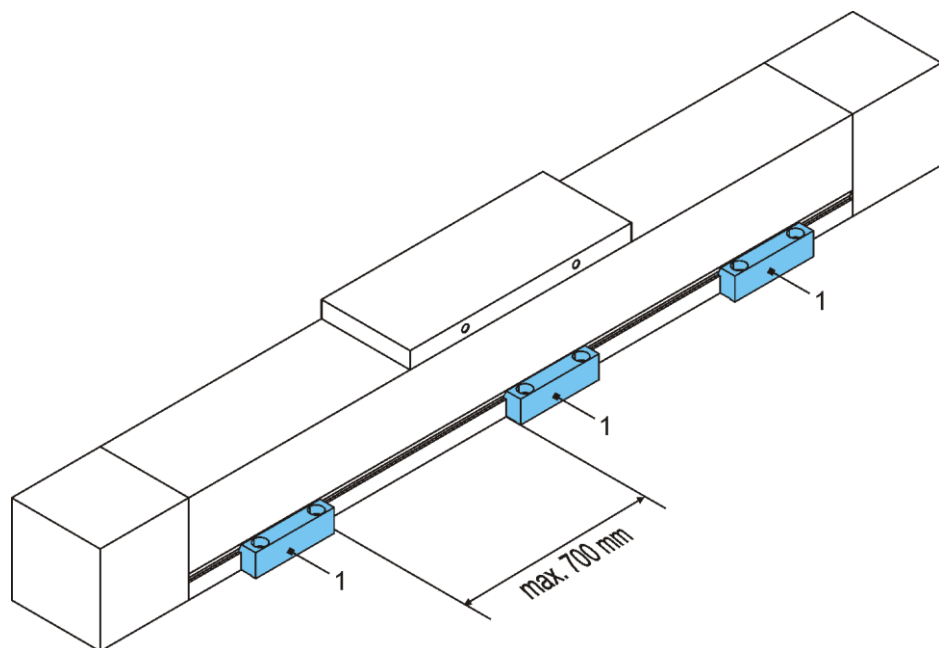


Figure 3: Mounting rails (1)

☛ The recommended maximum spacing between the mounting rails is 700 mm.

#### Procedure

1. Attach the mounting rails (1) loosely in position (Figure 3).
2. Align the linear unit axially.
3. Tighten the mounting rails (1)  
(for tightening torques see section 3).



## 6.2 Screwing the linear unit into place from below (not Delta 90)

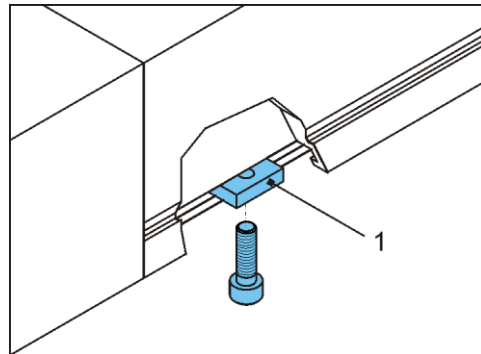


Figure 4: Sliding blocks (1) in the groove on the underside of the base profile

Attach the linear unit by the fixing screws from below using the sliding blocks or the tapped hole rails in the aluminium base profile (Figure 4).

### Procedure

1. Align the linear unit.
2. Align the sliding blocks (1)/tapped hole rails.
3. Tighten the linear unit  
(for tightening torques see section 3).

## 6.3 Setting maximum travel

DANGER



Serious injury may result if the transport carriers topple over. If the carriage moves to its full extent beyond the safety zone, the transport carrier mounted on it may break away or topple over. The linear unit may be destroyed.

Keep to the specified safety zone when setting up the unit, and set the limit switches accordingly.

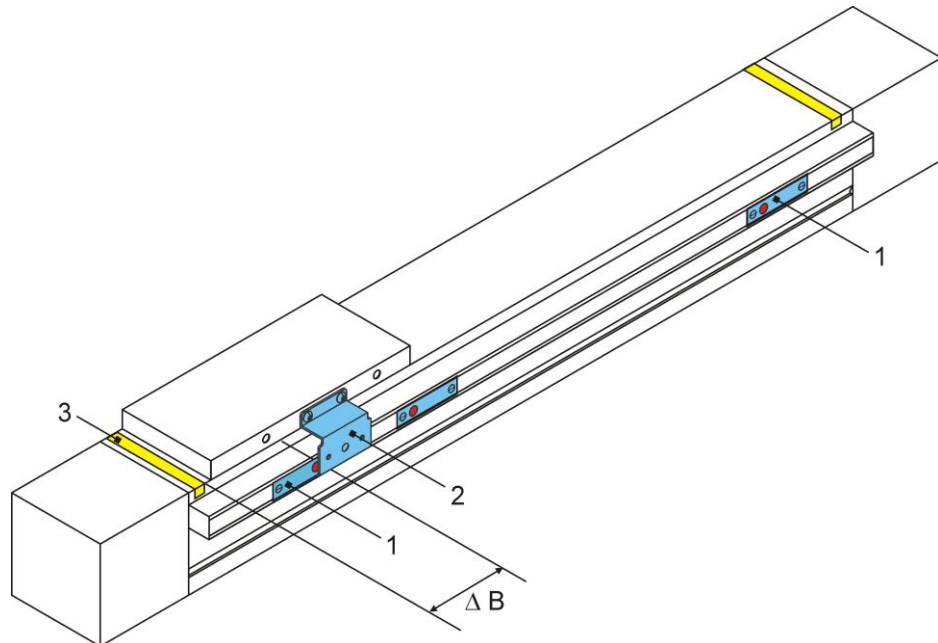
Electrical switches may only be connected by qualified electricians.

☛ To stop the carriage promptly in the event of an emergency stop, allow for adequate braking distance.

### 6.3.1 Setting the positions of the inductive limit switches

The function of inductive proximity switches is to shut down the electric drive before the mechanical end position is reached.

The necessary braking distance ( $\Delta B$ ) depends on the velocity and deceleration of the carriage. The braking distance must be between the switching point of the proximity switch and the actual mechanical end position.



Key	1	Inductive limit switch
	2	Switching cam
	3	Band marking safety zone

Figure 5: Inductive limit switches

CAUTION



The limit switches must switch so that the carriage comes to a stop immediately before the safety zone. The safety zone is factory-marked on the unit by a band (3).

#### Procedure

1. Connect the power to the limit switches.
2. Slacken the limit switch fixing screws.
3. Run the carriage as far as the braking position.
4. Move the limit switch (NC contact) under the switching cam until it trips and the LED on the sensor goes out.
5. Move the carriage away.
6. Tighten the limit switch.
7. Check the correct position of the limit switch: Move the carriage manually and observe the switching operation.
8. Fit the limit switch array covering.

### 6.3.2 Setting the positions of the mechanical limit switches

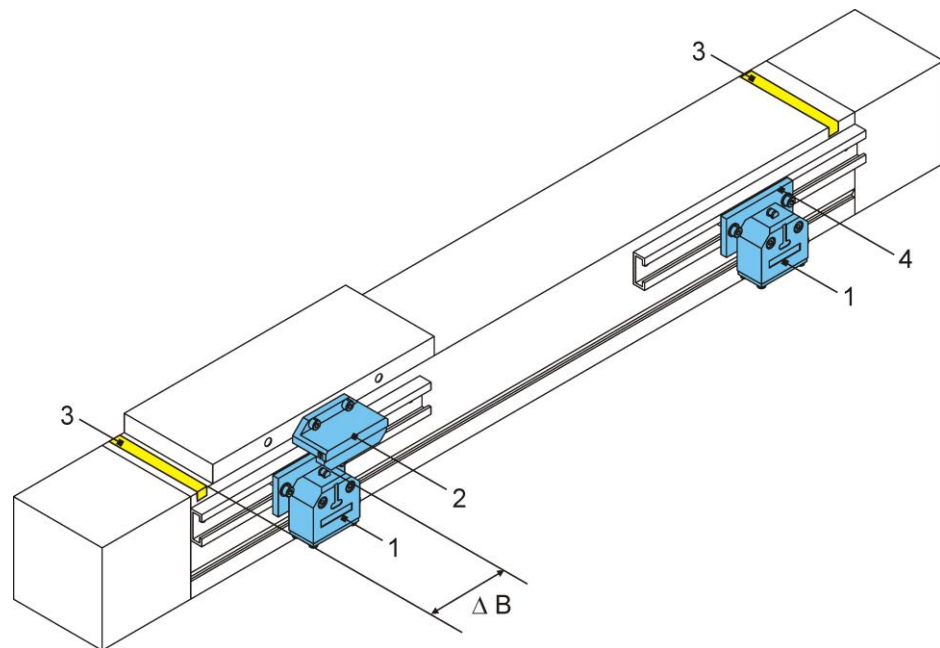
Mechanical safety limit switches (NC contacts) must be used if a hazard is posed to personnel as soon as the electric drive fails to shut down.

The drive may only be started up when all limit switches are connected and correctly set!

A combination with inductive proximity switches is possible.

External shock-absorbers must be fitted to protect against mechanical destruction.

The necessary braking distance ( $\Delta B$ ) depends on the velocity and deceleration of the carriage. The braking distance must be between the switching point of the limit switch and the actual mechanical end position (Figure 6).



Key	1	Mechanical limit switches
	2	Switching cam
	3	Band marking safety zone
	4	Bracket
	B	Braking distance

Figure 6: Mechanical limit switches

**CAUTION**



The limit switches must switch so that the carriage comes to a stop immediately before the safety zone. The safety zone is factory-marked on the unit by a band (3).

**Procedure**

1. Connect the power to the limit switches.
2. Slacken the bracket fixing screw (Figure 6).
3. Run the carriage as far as the safety zone.
4. Move the limit switch until it trips.
5. Tighten the bracket fixing screw.
6. Check the correct position of the limit switch: Move the carriage manually and observe the switching operation. If the braking distance is too short, repeat the set-up.

### 6.4 Mounting a drive unit

Make sure the direction of rotation of the external drive unit takes into account the direction of the spindle or timing belt so that the limit switches work correctly.

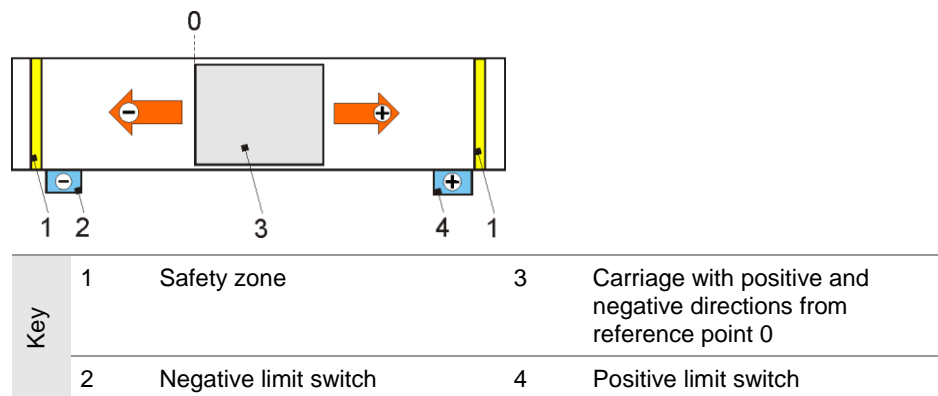
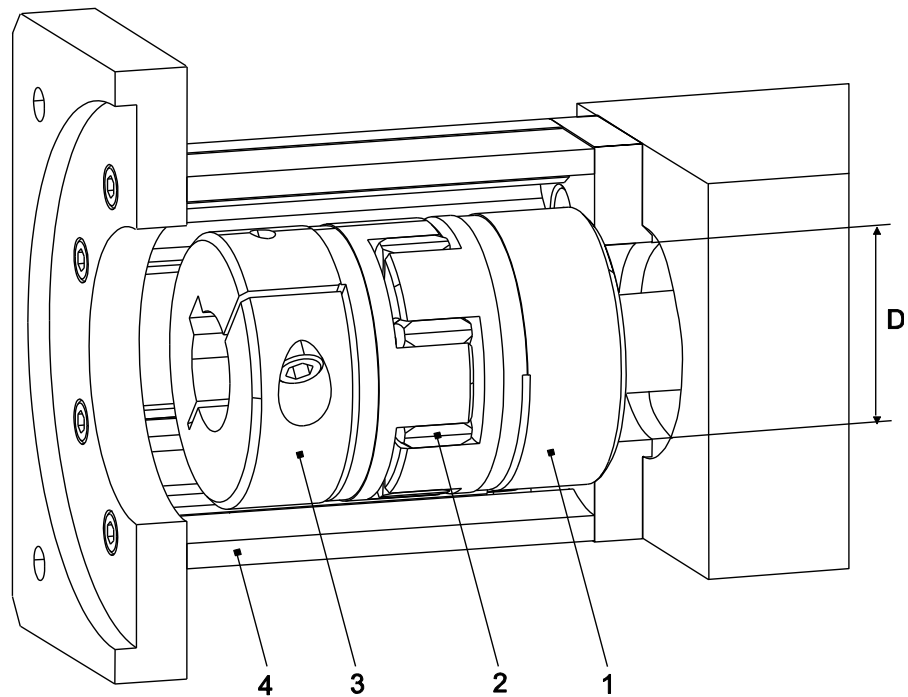


Figure 7: Example of travel direction and limit switch configuration

### 6.4.1 Mounting a motor



Key	1	Clutch half 1	4	Motor housing
	2	Clutch ring	D	Diameter on motor housing
	3	Clutch half 2		

Figure 8 Motor housing with motor clutch on drive pin

#### Procedure

1. Place the motor and the clutch components in mounting position adjacent to the linear unit.
2. Check the direction of rotation of the motor. It must take into account the safety limit switches (Figure 7). Alter the direction of the motor as necessary.
3. If the clutch diameter is less than the measure D on the motor housing (4), first mount clutch half 1 (1) (drill hole flush with drive shaft) and then the motor housing (4) (Figure 8).

If the clutch diameter is greater than the measure D on the motor housing (4), first mount the motor housing (4) and then clutch half 1 (1) (drill hole flush with drive shaft). Tighten the clutch clamping screw through the mounting hole on the motor housing (4).

4. Slot the clutch ring (2) onto the clutch.
5. Mount clutch half 2 (3) on the motor pin.
6. Mount the motor on the motor housing.

## 7 Start-up

WARNING



---

Risk of injury to personnel or damage to other components due to the high-speed linear motion of the transport carrier by the load being thrown off.  
Only authorised technical personnel may operate the linear unit.

---

WARNING



---

Risk of crushing if the transport carrier is moved in the wrong direction. If the directions of rotation of the drive (motor or gearbox) and of the carriage drive (spindle or timing belt) do not match, the mounted transport carrier may move in the wrong direction.  
Only qualified electricians may carry out electrical installation and check rotation.

---

### Checks before start-up

Before starting the unit, check the following:

- Make sure the retaining fixtures conform to the mass and acceleration data provided by the manufacturers.
- Make sure the machine or line into which the linear unit is installed conforms to the EU Machinery Directive, the harmonised European standards or applicable national standards.
- Make sure the linear unit is correctly installed.
- Make sure the inductive and/or mechanical limit switches are correctly connected and working properly.
- Make sure the direction of rotation of the motor shaft and - where appropriate - of the interposed gearbox - matches that of the spindle or timing belt.

If the checks reveal any defects, prohibit start-up of the unit.

### Trial run

To prevent accidents and collisions, run the linear unit along the extent of its travel at a speed slow enough for it to be stopped promptly in an emergency.

The line may be started up once it has been established that there is no risk of collision when the maximum travel is overrun.

## 8 Operation

### CAUTION




---

Risk of damage from harmful environmental influences!  
Operate the linear unit only under the ambient conditions approved by the manufacturers.

---

#### Ambient conditions

Operate the linear unit only within the permissible temperature range of 0 ... 80 °C.

If the linear unit is operated in moist, abrasive medium, foreign bodies may penetrate it. To prevent that, the operating company must take appropriate measures to prevent intrusion of foreign bodies, such as by installing deflectors, baffle plates or air barriers.

#### Duty of inspection

The proper functioning of the linear unit must be checked periodically during operation.

The responsible personnel must check the linear unit and the line for external signs of damage and defects at least once every shift.

If changes occur which are detrimental to safety, shut down the line immediately.

## 9 Shutdown

### WARNING




---

Risk of injury to personnel or damage to other components from falling components.  
Only authorised technical personnel may operate the linear unit.

---

1. Cut the power to the machine/line.
2. Dismantle the drive from the linear unit.
3. Detach the linear unit from the machine/line.

## 10 Maintenance

- All installed ball bearings are sealed and maintenance-free.
- Remove excessive dust and dirt from the cover band and other components of the linear unit on a regular basis.
- The timing belt is maintenance-free. If the timing belt rips or is stretched beyond its elastic range, replace it.

### 10.1 Lubrication

**Influencing factors** The following factors are key to determining the exact lubrication intervals required:

- Loading
- Velocity
- Motion
- Operating temperature
- Degree of dirtying

**Short lubrication intervals**

Short lubrication intervals are necessary:

- where there is susceptibility to dust and damp;
- under major loading;
- when running at high velocity (up to  $V_{max}$ );
- when running over short travel distances.

**Initial lubrication**

☛ Carry out an initial lubrication after starting up the unit for the first time. A basic lubrication was applied at the factory.

Refer to the lubrication regulations on the following pages.



**Lubrication points on linear units**

(not Delta 90 as lubricated for life)

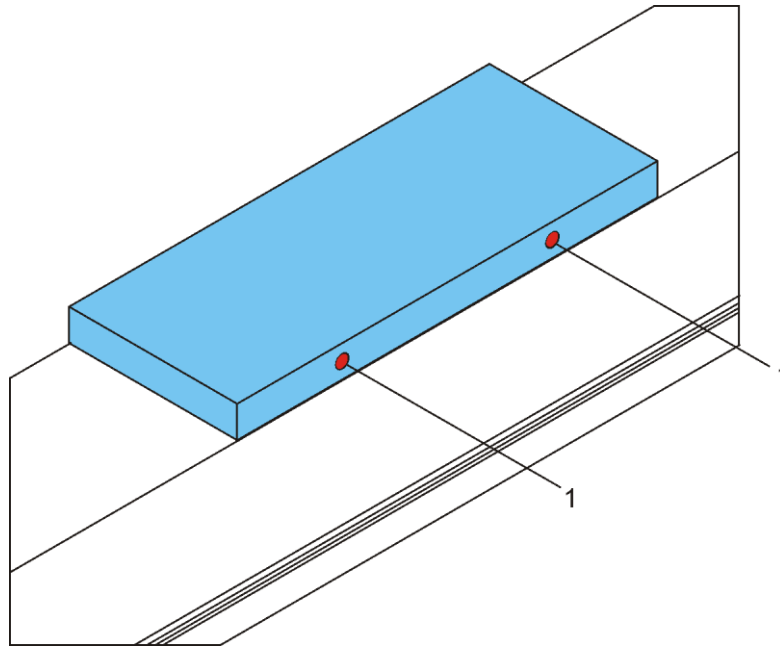


Figure 9: Possible lubrication points (1) on the carriage

The categories and positions of lubrication point depend on the model of linear unit. The categories of lubrication point are identified by the markings S, F, O on the unit.

There is a separate lubrication schedule for each lubrication point category.

Lubrication point category	Lubrication for...	Lubricant
S	Spindle	Grease
F	Guide elements	Grease
O	Guide elements	Oil

**Lubrication method**

Lubrication should, as far as possible, take place while the unit is running, so that the grease is distributed evenly and no pressure is built up.

**Schedule for lubrication point F (for linear guide)**

Carriage size	Lubrication interval	Grease quantity [cm <sup>3</sup> ] per carriage	Grease type
15 with ball chain	approx. 5,000 km*	approx. 0.4	Greases to DIN 51825-KPE1R-20, e.g. Klüberplex BE 31-102  ☛ If other greases are used, pay attention to manufacturers' specifications!
20 with ball chain		approx. 0.6	
25(L) with ball chain		approx. 1.2	
30 with ball chain		approx. 1.5	
35 with ball chain		approx. 1.7	
15 without ball chain	approx. 2,000 km*	approx. 0.8	☛ Greases containing solid lubricant (e.g. graphite, MoS <sub>2</sub> ) must not be used!
20 without ball chain		approx. 1.4	
25(L) without ball chain		approx. 2.8	
30 without ball chain		approx. 4.4	
35 without ball chain		approx. 4.4	

\* Or at least 2 x per year. The lubrication interval depends on the ambient temperatures and on the loading (see figure 9). Relubrication "in motion"!

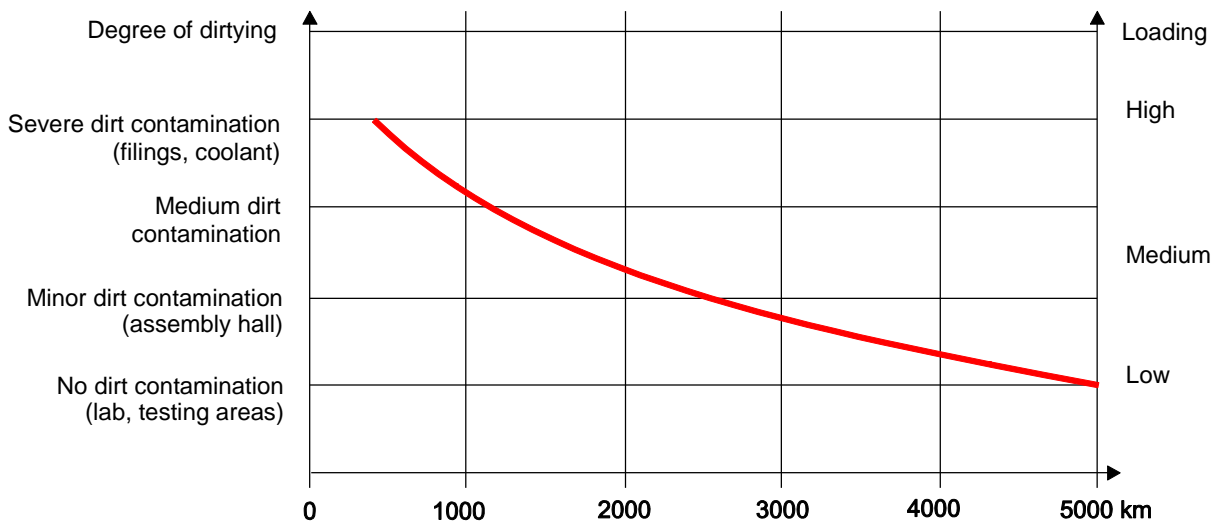


Figure 10: Relubrication intervals for the linear guidance system with recirculating linear ball bearings

## 10.2 Replacing the timing belt

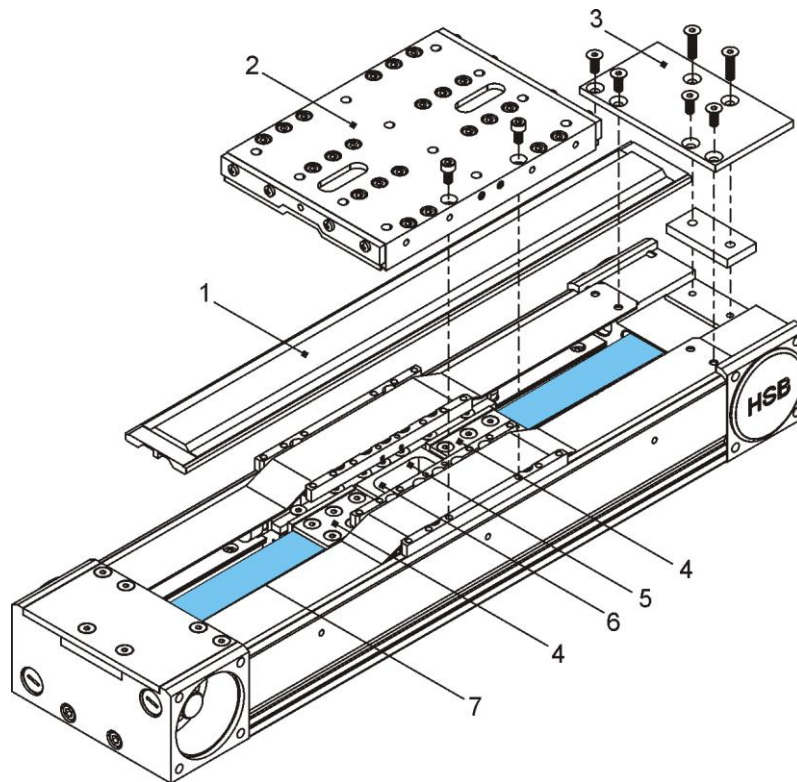
☛ To preserve the optimum running of the linear unit and prevent it from being damaged during running operation, take care that no foreign bodies penetrate the base profile or other linear unit components during installation and assembly.

☛ Do not damage the standard parts (screws, pins, etc.) or the cover band and its elements; they will be re-used.

CAUTION

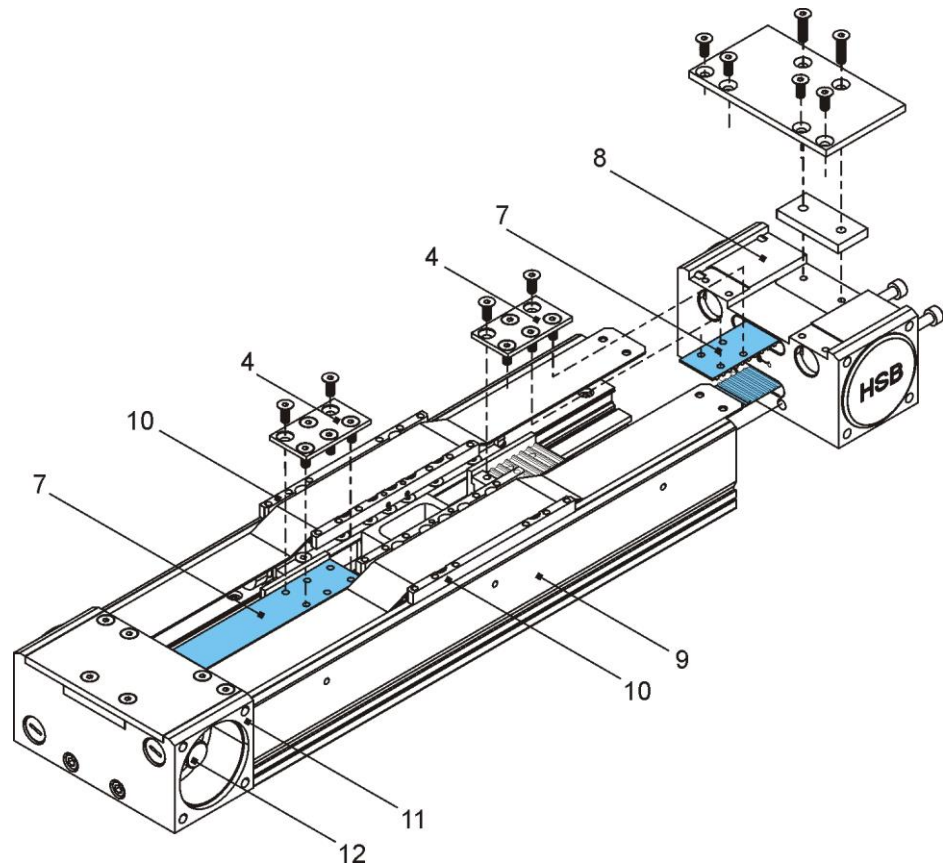


Risk of damage due to lack of lubrication! (Not Delta 90)  
Do not lose or damage the O-rings fitted on the lubricating apertures, otherwise component lubrication will not be guaranteed.



Key	1	Centre bar (dependent on model; cover band also possible)	5	Driver
	2	Carriage	6	Clamping screws
	3	Clamp fitting	7	Timing belt
	4	Timing belt holder		

Figure 11: Exposing the timing belt based on the example of the Delta 110 linear unit



Key	4	Timing belt holder	10	Driver
	7	Timing belt	11	Driven bearing casing
	8	Non-driven bearing casing	12	Drive shaft
	9	Base profile		

Figure 12: Replacing the timing belt based on the example of the Delta 110 linear unit

**Procedure**

1. Dismantle the drive unit (motor, gearbox).
  2. Run the carriage to the middle of the linear unit. Then unscrew it and lift it off.  
Caution! Do not rotate the carriage. It must be refitted in the same position!
  3. Unscrew the cover band clamp fittings.
  4. Model-specific variants:
    - Carefully lift the cover band over the timing belt out of its guideway and remove it.
    - Pull out the centre bar.
  5. Detach the two timing belt holders from the driver.
  6. Unscrew the non-driven bearing casing.
  7. Unscrew the timing belt holders from the two belt ends.
  8. Pull the defective timing belt out of the two bearing casings and remove it.
  9. Insert the right-hand end of the new timing belt with its teeth facing upwards into the bottom slot on the non-driven bearing casing and push it out through the top slot.
  10. Push the left-hand end of the new timing belt with its teeth facing upwards through the middle channel of the base profile.
  11. Unscrew the driven bearing casing.
  12. Push the left-hand end of the timing belt into the bottom slot on the driven bearing casing until the pulley engages.
  13. Rotate the drive shaft by hand and push the timing belt out through the top slot in the bearing.
  14. Tighten the holders at each end of the timing belt. Do not lock the screws with Loctite 243.
  15. Attach both timing belt holders by the clamping screws to the driver but do not tighten them. Lock the clamping screws with Loctite 243.
  16. Screw both bearings correctly onto the base profile. Lock the screws with Loctite 243.
  17. Tighten the timing belt forcefully.
  18. Set the precise specified tension using a tension meter (see meter operating instructions).
- ☛ Only by setting the correct tension as specified can optimum running be ensured.
19. The measurement position and the Hz figure applicable to the timing belt are provided along with the replacement belt. Tension the timing belt so that the specified Hz figure is indicated.

**20.** Model-specific variants:

- Push in the centre bar.
- Insert the cover band over the timing belt with its broader side (with the chamfered cutting edge) facing downwards and fix it by the clamp fittings.

**21.** Only for linear units with cover bands above the timing belt:

Carefully press the cover band into its guideway along its entire length until it audibly snaps into place.

☛ The cover band must not stick out of its guideway at any point, otherwise it will be damaged.

**22.** Make sure the sealing rings are in the lubricating apertures on the underside of the carriage.**Tip:**

To prevent the sealing rings from falling out when turning over the carriage, grease the lubricating apertures slightly.

**23.** Place the carriage in its original position on the drivers so that the holes on it precisely match up with the elements beneath.**Tip:**

The correct alignment is indicated by the hole pattern.

**24.** Screw the carriage to the driver elements (and lubricant distributors, if fitted) beneath. Use only the original screws. The screws must be centred in the holes.

☛ If you do not use the original screws, make sure the screws you use are not too long, otherwise they will protrude on the base profile or the cover band and cause damage.

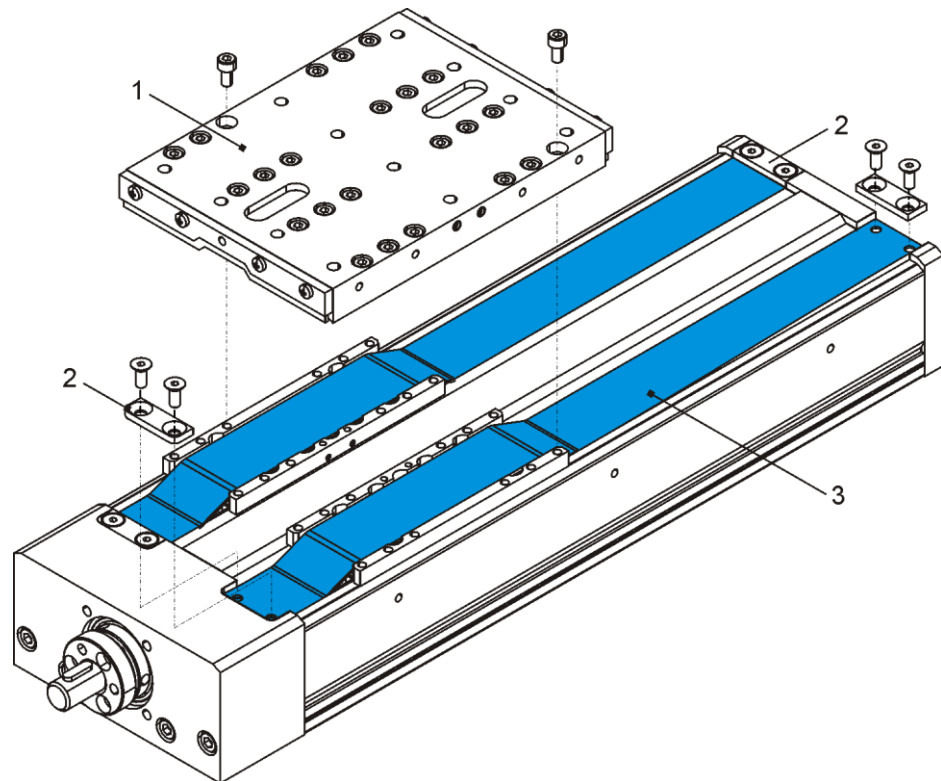
**25.** Replace the bands indicating the safety zones at the right and left ends of the linear unit as necessary.**26.** Only for linear units with cover bands above the timing belt: To ensure the cover band engages safely in its guideway, slowly move the carriage along its entire travel distance by hand.

### 10.3 Replacing cover bands

☛ To preserve the optimum running of the linear unit and prevent it from being damaged during running operation, take care that no foreign bodies penetrate the base profile or other linear unit components during installation and assembly.

☛ Do not damage the standard parts (screws, pins, etc.) or the dismantled components; they will be refitted.

☛ If cover bands are worn, also replace the band guide elements. If cover bands are damaged, check the band guide elements for wear and replace them only as necessary.



Key	1	Carriage
	2	Clamp fittings
	3	Cover band

Figure 13: Cover bands based on the example of the Delta 110 linear unit

## Procedure

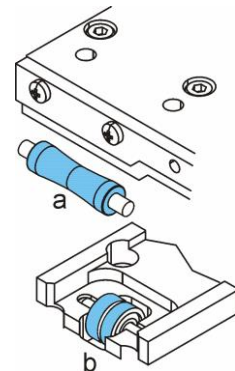
1. Move the carriage into the middle and remove it.  
Caution! Do not rotate the carriage. It must be refitted in the same position!

☛ Do not lose the O-rings fitted on the lubricating apertures on the underside of the carriage (not Delta 90).

2. Detach the clamp fittings from the ends of the cover band and remove the cover band.

3. Check the band guide elements such as the press rollers (a), lifting rollers (b) and locating pins for wear.

- If the cover band is worn, be sure also to replace the band guide elements. Worn guide elements will damage the new cover band.
- If the cover band is damaged, replace the band guide elements only if they are damaged. Do not interchange the press rollers (a), as they are different.



4. Insert the new cover band with its broader side (with the chamfered cutting edge) facing downwards and fix it at one end by the clamp fitting.
5. Carefully press the cover band into its guideway along its entire length until it audibly snaps into place. It must not stick out at any point, otherwise it will be damaged.
6. Stretch the cover band and fix it by the clamp fitting at the other end.
7. If the band guide elements are worn, mount the new elements on the underside of the carriage.
8. Make sure the O-rings are fitted on the lubricating apertures on the underside of the carriage and refit the carriage in the correct position.
9. To check that the carriage is correctly installed, run it slowly from one end of the linear unit to the other, ensuring the cover band is held all the time in its guideway.